



Model No.

RPC-15-U

Power control activates/deactivates remote equipment, external trigger required

REMOTE POWER CONTROLS can be combined with a variety of switches or sequencers for an intrinsically safe, low voltage method of controlling AC power to equipment at remote locations. Controlling power distribution without directly accessing equipment minimizes the potential for unauthorized access, while simplifying activation and deactivation of equipment.

Note: RPCs require an external trigger for activation (order separately).

Ideal for Lowell switches featuring maintained closure (order separately):

RPSB-P	Black wall plate w/rocker switch
RPSW-P	White wall plate w/rocker switch
RPSW-KP	White wall plate w/key switch
RPSB-R	Rack panel w/rocker switch
RPSB-KR	Rack panel w/key switch

FEATURES

CHASSIS: Steel chassis (8.00"L x 3.25"W x 1.95"H) with black finish and mounting holes.

POWER:

- **Power Rating:** 100-240VAC, 50/60Hz 15A
- IEC C14 power inlet; IEC C13 duplex outlet
- Two detachable 6 ft. cords (C13 to NEMA 5-15P and C13 to C14)

ACTIVATION: Must be connected to an external control to trigger activation and deactivation (choose one):

- **Dry Contact Closure:** Connect to SPST switch, power sequencer, or independent control system with dry contact closure.

Contact Coil Rating:

- Voltage: 24VDC
- Current: 37.5mA

- **Voltage Trigger (5-24V AC or DC 5mA):** DSP connection.

ORIGIN: Made in the U.S.A. with global components

THIRD PARTY APPROVAL: ETL Listed to UL60065 (U.S. and Canada)

INSTALLATION: The RPC is typically installed near the equipment to be controlled. Low voltage cable is run from its terminal strip to a control switch (or other control method).

- Systems can be configured with multiple RPCs controlled by a single "Maintained Closure" switch or voltage trigger source.
- Systems can also be configured with a single RPC controlled by multiple "Momentary Closure" switches and Lowell's MSM2 module (which converts momentary closure to maintained).

COMPATIBLE DEVICES: (order separately)

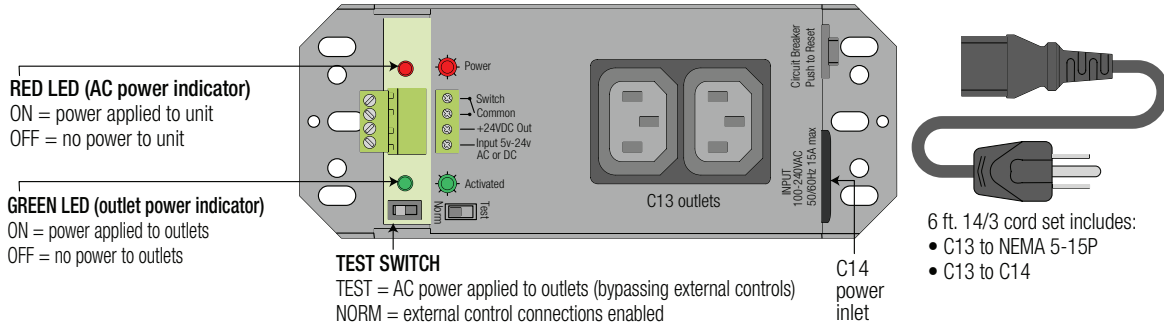
- **SPST Switch (RPS Series):** Low voltage wall-mount or rack-mount switch:
 - Switch with maintained closure connects directly to RPC.
 - Switch with momentary closure requires Lowell conversion module MSM2 placed between the switch and RPC.
- **Power Sequencer (SEQ Series):** A low voltage sequencer can be used with the RPC for time-delayed activation and deactivation of connected equipment. Lowell standalone sequencers will require a switch for activation, while Lowell rack-mount sequencers include a switch. See product spec sheets for information.

A&E SPECIFICATIONS

The device for remotely controlling AC power shall be Lowell model RPC-15-U, which shall feature a 8.00"L x 3.25"W x 1.95"H steel chassis with black powder epoxy finish, 100-240VAC 50/60Hz 15A power rating, IEC C13 duplex outlet (15A rating), IEC C14 power inlet, and two 6 ft. cords (C13 to NEMA 5-15P and C13 to C14). The unit shall require an external trigger for activation (not included).

RPC DIAGRAM:

Note: "Where the mains plug or an appliance coupler is used as the disconnect device, the disconnect device shall remain readily operable."



RPC CONTROL CONNECTIONS

EXAMPLE 1: SPST switch with MAINTAINED closure.
See Lowell RPS Series models listed on pg. 1.

Lowell SPST switch with MAINTAINED closure

EXAMPLE 2: Switch or Control System with contact closure.
Connect to any physical switch or control system that provides a dry contact closure.

EXAMPLE 3: Voltage Input.
Connect to any device or control system that provides a voltage input between 5 and 24 volts, AC or DC. If DC, observe polarity: Common = Neg., Trigger Input = Pos.

EXAMPLE 4: Sequencer.
Connect to Lowell SEQ Series sequencer (Not SEQ-P Series) output step.

EXAMPLE 5: Multiple RPCs. Multiple RPCs can be activated at the same time by parallel connecting appropriate terminals.

EXAMPLE 6: Fire Alarm Panel Interface with normally closed (N.C.) contact. Application Example: RPC controls power to a music/paging system. The Fire Alarm Panel forces music/paging system OFF so alarm can be heard. **NOTE: Test Switch must be in "Norm" position.**

SERIES OVERVIEW

Model No.	Chassis	Outlets	Input	Power Rating	Surge Suppression	External Activation Required	Connections
RPC-15	Standalone	NEMA 5-15R (2)	6' attached cord	125VAC 60Hz 15A	---	Dry contact closure	Terminal Strip
RPC-15-S	Standalone	NEMA 5-15R (2)	6' attached cord	125VAC 60Hz 15A	Yes	Dry contact closure	Terminal Strip
RPC-15-SCD-RJ	Standalone	NEMA 5-15R (2)	6' attached cord	125VAC 60Hz 15A	Yes	Dry contact closure or VT*	TS or RJ45
RPC-15-U	Standalone	IEC C13 (2)	6' detachable cord (2)	100-240VAC 50/60Hz 15A	---	Dry contact closure or VT*	Terminal Strip
RPC-20-CD	Standalone	NEMA 5-20R (2)	6' attached cord	125VAC 60Hz 20A	---	Dry contact closure or VT*	Terminal Strip
RPC-20-SCD	Standalone	NEMA 5-20R (2)	6' attached cord	125VAC 60Hz 20A	Yes	Dry contact closure or VT*	Terminal Strip
RPC-20-SCD-RJ	Standalone	NEMA 5-20R (2)	6' attached cord	125VAC 60Hz 20A	Yes	Dry contact closure or VT*	TS or RJ45
RPC-3N1	Standalone	NEMA 5-15R (8)	6' attached cord	125VAC 60Hz 15A	---	Dry contact closure	Terminal Strip
RPC-4CD	Rack-mount	NEMA 5-15R (8)	6' attached cord	125VAC 60Hz 15A	---	Dry contact closure	Terminal Strip
RPC-20-HW	Standalone	NEMA 20A (2)	6' flexible whip	125VAC 60Hz 20A	---	Dry contact closure or VT*	Terminal Strip
RPC-20-SHW	Standalone	NEMA 20A (2)	6' flexible whip	125VAC 60Hz 20A	Yes	Dry contact closure or VT*	Terminal Strip
RPC-30-SHW	Standalone	Twistlock 30A (1)	6' flexible whip	125VAC 60Hz 30A	Yes	Dry contact closure or VT*	Terminal Strip

* VT indicates the RPC can also accept a voltage trigger provided by an independent control system.

