

features.

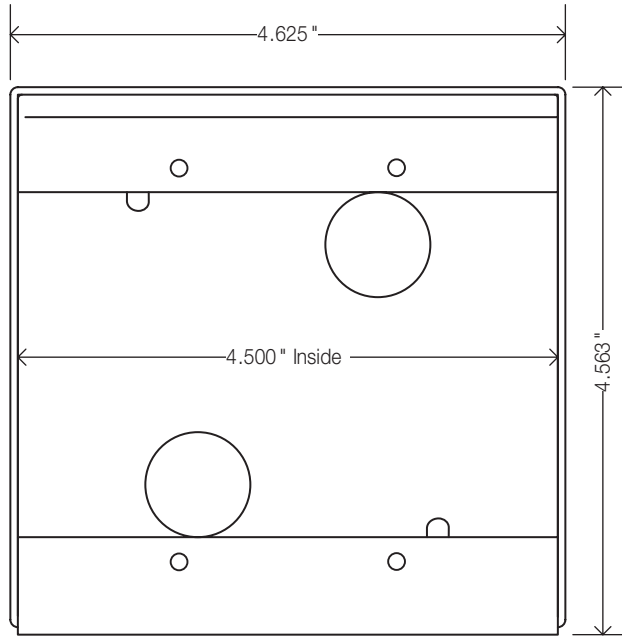
- **Description:** The heavy duty steel hooded box is made for use with Lowell vandal-resistant intercom stations, Lowell VRI and VRI Series, ordered separately. The steel box features an overhanging top to help protect mounted devices.
 - Overall Height: 4.56"
 - Overall Width: 4.625"
 - Overall Depth: 4.00" (with overhanging top)
 - Rear mounting holes
 - Rear holes for wire management
- **Construction:**
 - Surface-mount wall box
 - Heavy duty, 11-gauge steel construction
 - Smooth gray finish
 - 2-gang

a&e specifications.

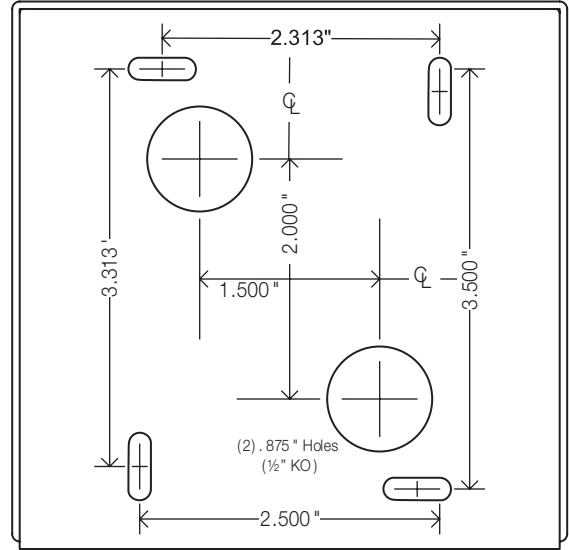
The intercom shall include a surface-mount wall box, Lowell #PHB-2. The box shall be 11-gauge steel with gray finish and feature an overhanging top to help protect mounted devices. Overall dimensions shall be 4.5"H x 4.625"W x 4.00"D. The box shall feature rear mounting holes, plus holes for wire management.

Model summary

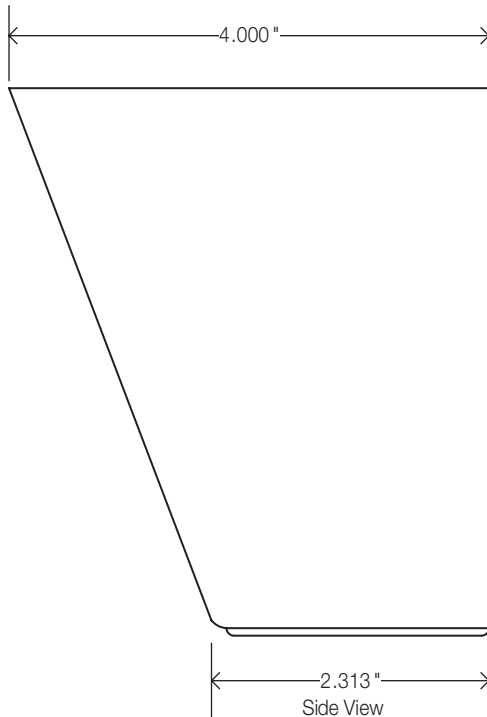
Model No.	Description	Construction	Finish	Height	Width	Depth
PHB-2	Protective Hooded Box	11-gauge steel	gray	4.56"	4.625"	4.00"



Front View



Rear View



Side View