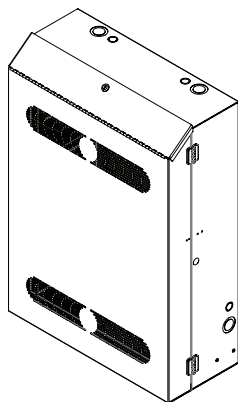


Flip-top allows access to upper bay without opening main compartment.



Sample installation



features.

- **Panel Space:** – 4U upper bay mounts equipment horizontally (4.97"D usable)
– 6U lower bay mounts equipment vertically (30.2"D usable)
- **Overall Height:** 36.00" [914]
- **Overall Width:** 25.5" [648]
- **Overall Depth (with door):** 11.187" [284]
- **Description:** Low profile wall cabinet secures 19" E.I.A. network equipment with minimal intrusion into room, maximizing space with two mounting bays. Includes deep front door which contributes to overall cabinet depth of 11.187".
- **Construction:** Made in the U.S.A. with 16-gauge certified U.S. steel. Network Grey finish:
 - Upper Bay (horizontal-mount): 4U x 19"W (4.97" usable depth). One pair pivoting rails allows easy access to cables; secures with wing nuts. Ideal place for a shallow patch panel.
 - Lower Bay (vertical-mount): 6U x 19"W (30.2" usable depth). One pair adjustable rails. Ideal for a hub, server, or similar active equipment.
- **Front:** Deep front door with vents, beveled edges, and hinged top that permits access to upper bay without opening main compartment. Top/side key locks. Door is reversible (left or right-hand swing).
- **Rear:** Cabinet mounts on standard 16 inch centers and features large 4" x 7" cutouts to fit over wall obstructions. Multiple bridge lances for cable management.
- **Sides:** Combination EKO's for conduit (1/2"–3/4" and 1"–1-1/2"). Draw latch and key lock.
- **Bottom:** Combination EKO's for conduit (1/2"–3/4"). Electrical box in base. Vents will accept optional single fan kit.
- **Top:** Combination EKO's for conduit (1/2"–3/4" and 1"–1-1/2").
- **Cable Management:** Multiple bridge lances in rear. Knockouts in top, bottom, and sides.
- **Dual-Punch Rails:** 11-gauge steel rails with black finish have 10-32 threaded holes (for use with included screws) plus square holes (for use with alternate hardware—12-24 or 6mm screws, not included).
- **Compliance:** EIA/TIA compliant. RoHS compliant.
- **Load Capacity:** 150 lbs.
- **Optional:**
 - Single whisper-quiet fan (4.7" dia., 50cfm, 28dBA) with guard and 6' cord. (#FW1-KIT)
 - Same as above with thermostat probe in cord to control fan operation. (#FW1-KITT)
 - Single DC fan (4.7" dia., 73cfm, 33dBA) with guard, 6' cord and integral thermostat probe to control fan operation. (#FDC1-KITT)

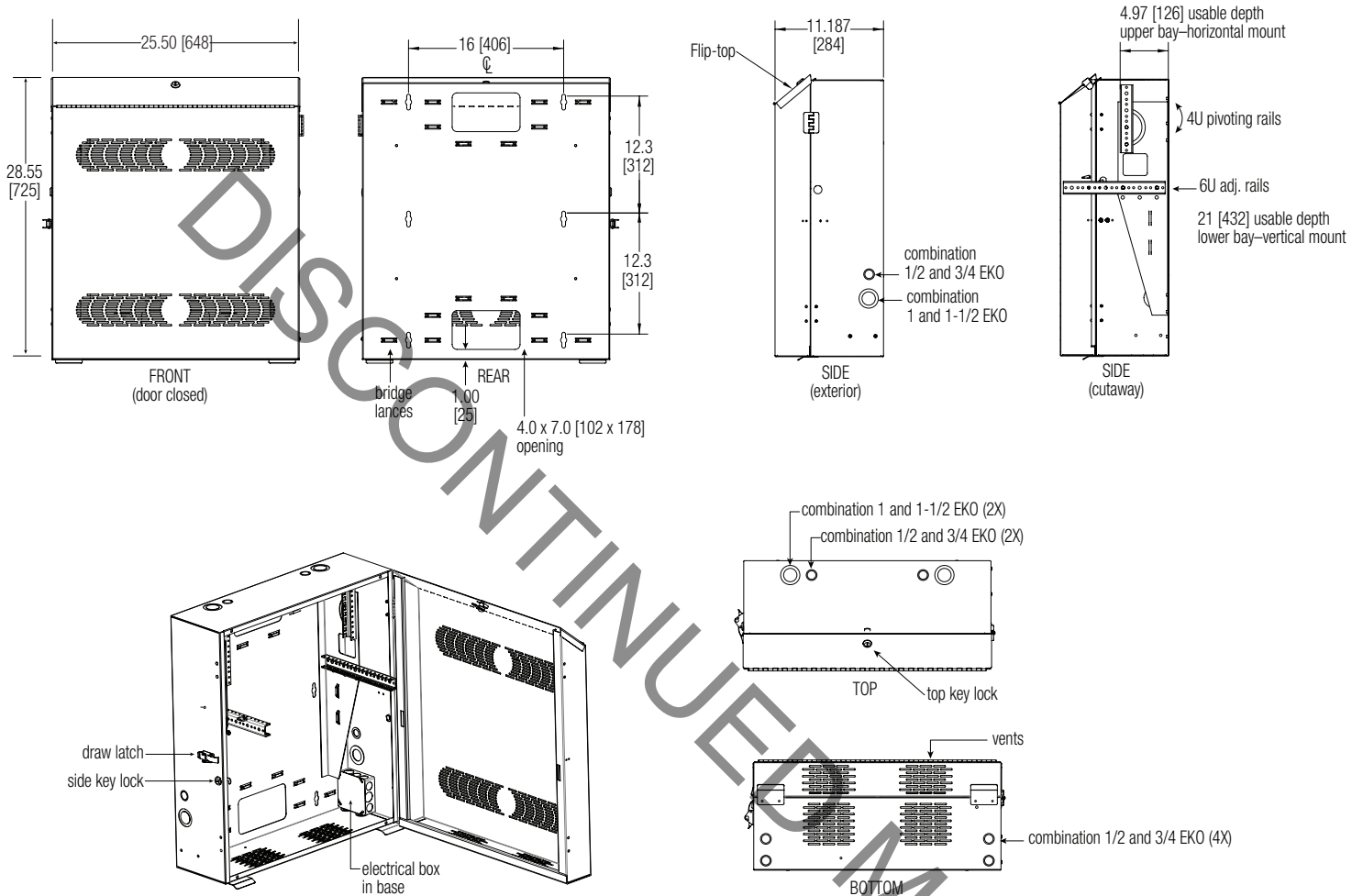
a&e specifications.

The wall-mount cabinet shall be Lowell Model RCCD-4636 with overall measurements of 25.5"W x 36"H x 11.187"D (with door), and two mounting bays within. The 4U upper bay shall have rails to mount an accessory panel horizontally. Upper bay rails shall pivot down for access. The 6U lower bay shall have adjustable rails to mount 19" equipment vertically (up to 30.2"D). All rails shall be 11-ga. steel with black finish, and have 10-32 threaded holes (for use with included screws), plus square holes (for use with alternate hardware—12-24 or 6mm screws, not included). The deep front door shall have a sloped top, beveled edges and vents. The cabinet shall have two access points with key locks—the top of the door shall flip down to access equipment in the upper bay without opening the main compartment, the door shall also open from the side for full access to cabinet interior. The cabinet shall include knockouts and bridge lances for cable management, and an electrical box in the base. The cabinet shall be

made in the U.S.A. with certified U.S. steel and have a Network Grey powder epoxy finish. Load capacity shall be 150 lbs.

Optional:

- The cabinet shall include a single whisper-quiet fan (4.7" dia., 50cfm, 28dBA) with guard and 6' cord, Lowell #FW1-KIT.
- The shelf shall include a single whisper-quiet fan (4.7" dia., 50cfm, 28dBA) with guard, 6' cord and integral thermostat probe to control fan operation, Lowell #FW1-KITT.
- The shelf shall include a single DC fan (4.7" dia., 73cfm, 33dBA) with guard, 6' cord and integral thermostat probe to control fan operation, Lowell #FDC1-KITT.



RCCD series summary

Model No.	Upper Bay (horizontal-mount, usable)	Lower Bay (vertical-mount, usable)	Overall Height	Overall Width	Overall Depth (with door)	Upper Rails (pivoting)	Lower Rails (adjustable)
RCCD-4628	4U x 19 x 4.97	6U x 19 x 21	28.55 [725]	25.5 [648]	11.187 [284]	1 pr	1 pr
RCCD-4636	4U x 19 x 4.97	6U x 19 x 30.2	36 [914]	25.5 [648]	11.187 [284]	1 pr	1 pr

Rack dimensions (rounded) – inches and [mm]; 1U = 1.75"