

Model No.

RRB Series

Rail Recessing Brackets

INCLUDES:

- Pair of brackets
- Hardware



Brackets are sold in pairs (2U, 3U or 4U).

STEEL BRACKETS with smooth black powder epoxy finish mount to rack rails to recess equipment up to four (4) inches from front of rack rail. Brackets are sold in pairs and are available in 2U, 3U or 4U.

FEATURES

DESCRIPTION: Steel brackets recess equipment four (4) inches from front of rack rail.

CONSTRUCTION: 16-gauge certified U.S. steel

FINISH: Smooth black powder epoxy finish

SIZE: 2, 3, or 4 rack units (sold in pairs)

INSTALLATION: Brackets are not tapped but made to fit over the (tapped) rack rails.

COUNTRY OF ORIGIN: Made in U.S.A.



Brackets recess equipment 4 inches from rack rails.

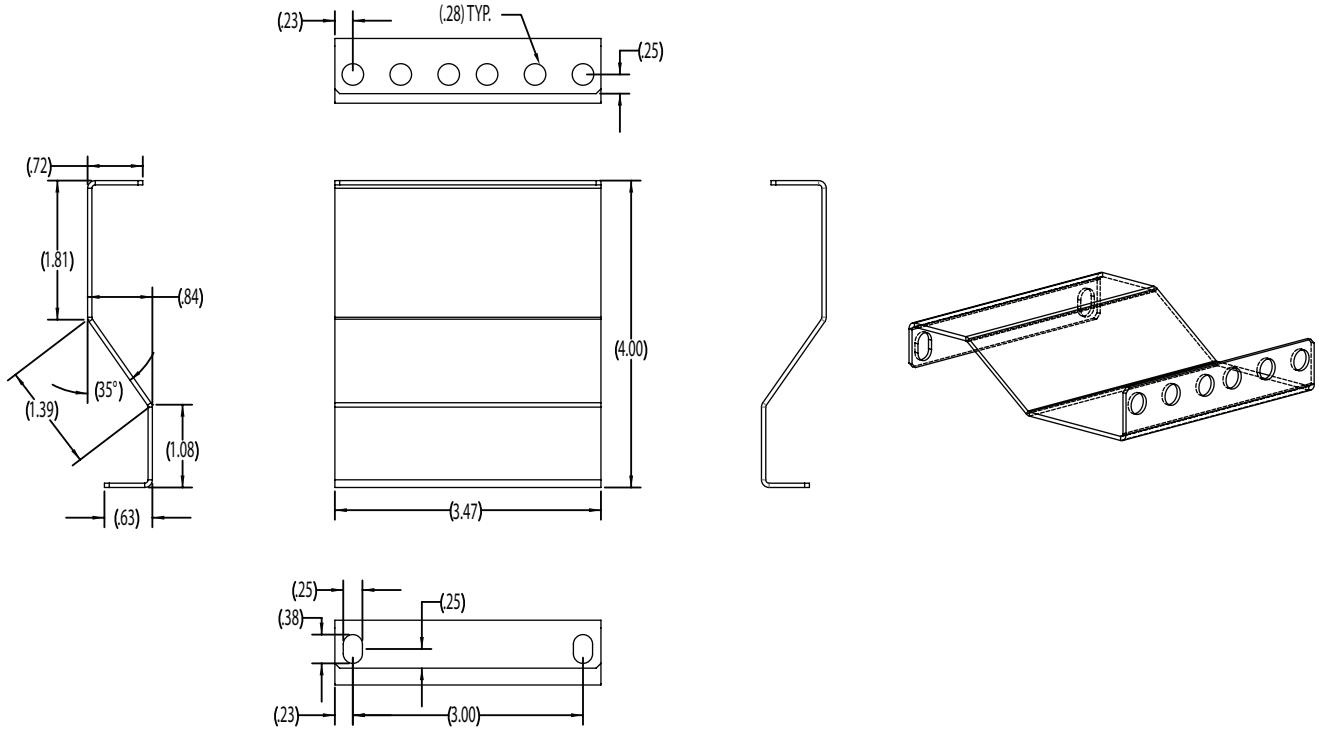
A&E SPECIFICATIONS

The rack shall be furnished with a pair of recessing brackets, Lowell model no. _____(RRB-2, RRB-3, RRB-4), which shall be mounted to rack rails to recess equipment four (4) inches from front of rack rail. Brackets shall have a height of ___ (2, 3, 4) rack units. The brackets shall be U.S. steel with smooth black powder epoxy finish.

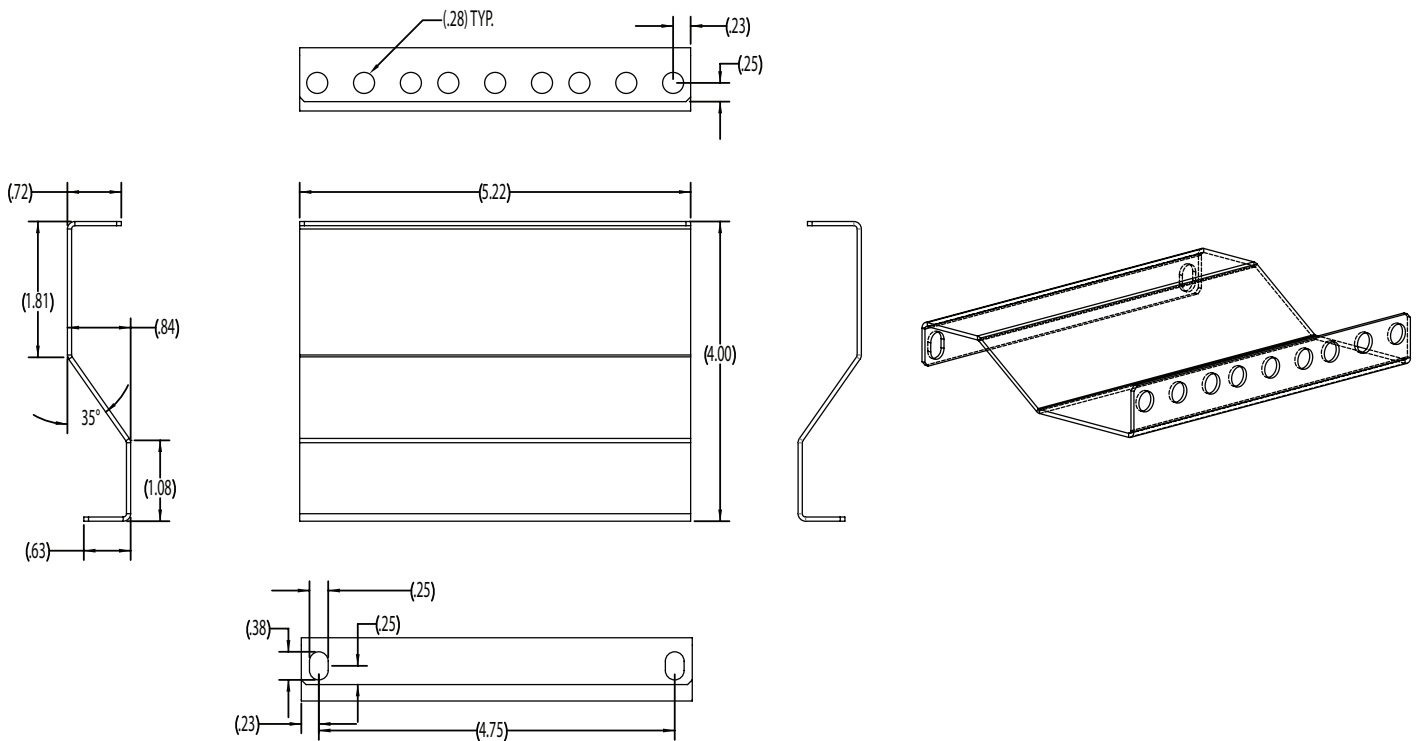


DRAWINGS

Model RRB-2



Model RRB-3



Model RRB-4

