

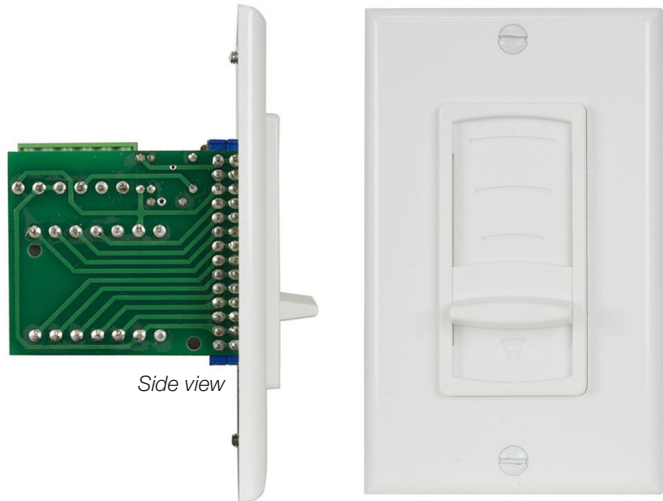
Model No.

SVC100-PA-DW

ADA Compliant Volume Control
with Priority Relay

INCLUDES:

- 100W mono autoformer attenuator
- One-gang decora-style wall plate with Sliding Bar Switch



100W MONO AUTOFORMER ATTENUATOR allows precise level adjustment of single or multiple speaker lines. The unit features a priority relay for emergency signal bypass, one-gang decora-style wall plate, and sliding bar switch to meet ADA requirements.

FEATURES

DESCRIPTION: Mono autoformer attenuator style volume control for use with 70V speaker line

POWER RATING: 100W

ATTENUATION: 3dB per step (33dB total with two steps of 6dB each before off)

PRIORITY RELAY: 24VDC@15mA relay for applications requiring ability to override volume control with an emergency page or signal.

TERMINATION: Phoenix-style plug-in screw termination strips for pre-wire convenience

WIRE CAPACITY: Up to 14-gauge

SWITCH: Sliding bar, ADA compliant*

WALL PLATE: One-gang decora-style wall plate, white

DIMENSIONS: 2.75 in. x 4.5 in. x 2.375 in.

INSTALLATION: Mounts in a standard one-gang EO box with minimum depth of 2.375 inches (order separately).

COMPLIANCE & CERTIFICATIONS:

- ETL Listed. Conforms to UL 60065 / UL 2043. Certified to CSA 22.2 #60065.
- Made in the USA with US and global components
- Trade Agreements Act (TAA) compliant

**Americans with Disabilities Act compliant with required activation force less than 5 lbf (ft. pounds). See ADA Accessibility Guidelines Sec. 4.27.4 (www.access-board.gov)*

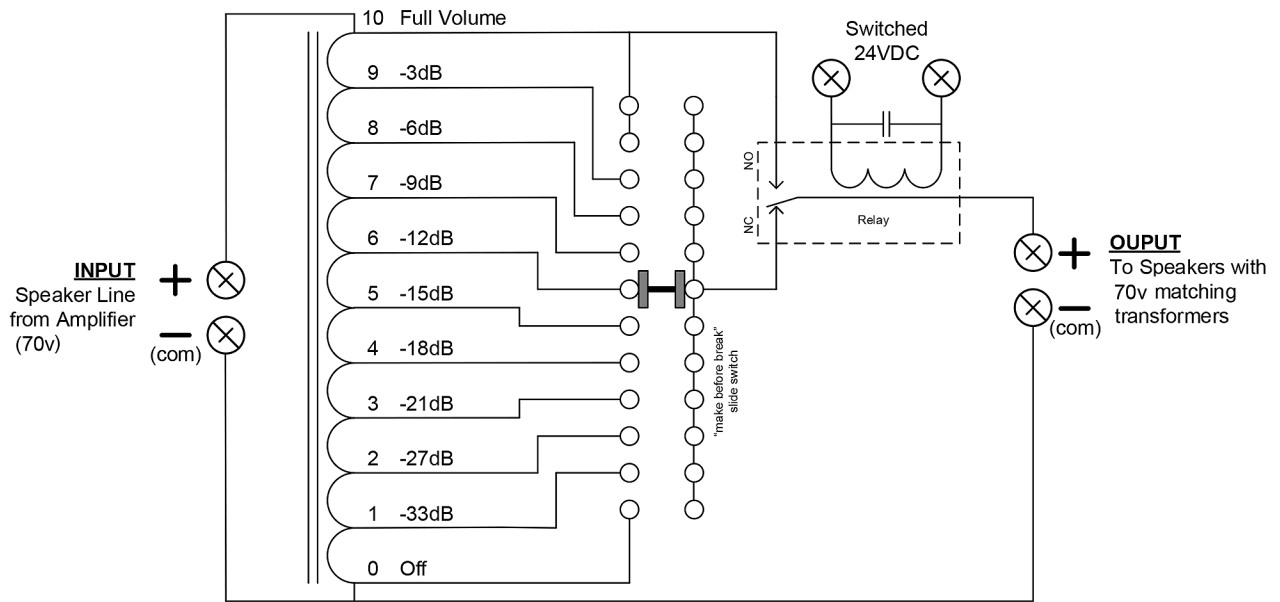
A&E SPECIFICATIONS

The ADA compliant mono autoformer attenuator style volume control shall be Lowell SVC100-PA-DW. It shall feature 100W power rating and 3dB per step attenuation (6dB per step in last two positions before off). It shall include a 24VDC@15mA relay for an emergency page or signal to bypass/override the attenuator. It shall include a white, one-gang decora-style wall plate with sliding bar switch. The device shall be made to fit an EO box with minimum inside dimensions of 1.875 in. x 2.688 in. x 2.375 in. depth. It shall be Made in USA with US and global components. The mono attenuator shall be ETL Listed and Trade Agreement Act (TAA) compliant.

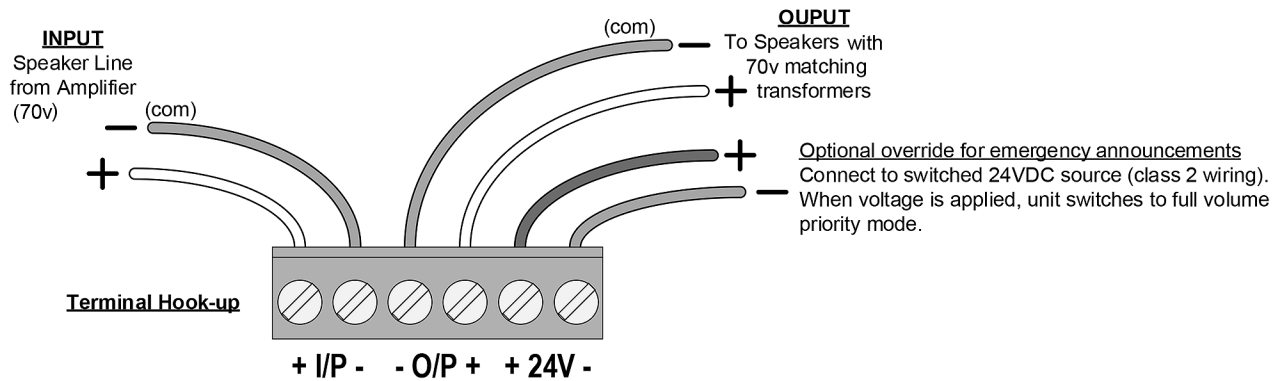
OPTIONS

P1X: One-gang surface-mount wall box (4.625 in. x 2.875 in. x 2.5 in.). Steel with half-inch knockouts, white finish. Includes U-clips.

TECHNICAL DRAWINGS



Schematic



OVERVIEW: MONO ATTENUATORS

Model No.	Power Rating	Attenuation Steps/Total *	VC Type	Priority Relay	Mount Type **	Plate Size	Color	Switch	Listing	For Use With speaker line	TAA Compliant
10LVC	10 W	3dB/33dB	autoformer	---	standard wall plate	1-gang	ss	knob	----	25V/70V	no
25LVC	25 W	3dB/33dB	autoformer	---	standard wall plate	1-gang	ss	knob	ETL	25V/70V	yes
25LVC-SW	25 W	3dB/33dB	autoformer	---	standard wall plate	1-gang	white	knob	ETL	25V/70V	yes
25LVC-DB	25 W	3dB/33dB	autoformer	---	decorator wall plate	1-gang	black	knob	ETL	25V/70V	yes
25LVC-DW	25 W	3dB/33dB	autoformer	---	decorator wall plate	1-gang	white	knob	ETL	25V/70V	yes
25LVC-RM	25 W	3dB/33dB	autoformer	---	adhesive label	---	black	knob	ETL	25V/70V	yes
50LVC	50 W	3dB/33dB	autoformer	---	standard wall plate	1-gang	ss	knob	ETL	25V/70V	yes
50LVC-DB	50 W	3dB/33dB	autoformer	---	decorator wall plate	1-gang	black	knob	ETL	25V/70V	yes
50LVC-DW	50 W	3dB/33dB	autoformer	---	decorator wall plate	1-gang	white	knob	ETL	25V/70V	yes
50LVC-RM	50 W	3dB/33dB	autoformer	---	adhesive label	---	black	knob	ETL	25V/70V	yes
100LVC	100 W	3dB/33dB	autoformer	---	standard wall plate	1-gang	ss	knob	ETL	25V/70V	yes
100LVC-DB	100 W	3dB/33dB	autoformer	---	decorator wall plate	1-gang	black	knob	ETL	25V/70V	yes
100LVC-DW	100 W	3dB/33dB	autoformer	---	decorator wall plate	1-gang	white	knob	ETL	25V/70V	yes
100LVC-DSB	100 W	3dB/33dB	autoformer	---	decorator wall plate	1-gang	ss / black	knob	ETL	25V/70V	yes
100LVC-RM	100 W	3dB/33dB	autoformer	---	adhesive label	---	black	knob	ETL	25V/70V	yes
10015LVC	100 W	1.5dB/13.5dB	autoformer	---	standard wall plate	1-gang	ss	knob	ETL	25V/70V	yes
10015LVC-DB	100 W	1.5dB/13.5dB	autoformer	---	decorator wall plate	1-gang	black	knob	ETL	25V/70V	yes
10015LVC-DW	100 W	1.5dB/13.5dB	autoformer	---	decorator wall plate	1-gang	white	knob	ETL	25V/70V	yes
10015LVC-RM	100 W	1.5dB/13.5dB	autoformer	---	adhesive label	---	black	knob	ETL	25V/70V	yes
100LVC-PA	100 W	3dB/33dB	autoformer	yes	standard wall plate	1-gang	ss	knob	ETL	25V/70V	yes
100LVC-PA-DB	100 W	3dB/33dB	autoformer	yes	decorator wall plate	1-gang	black	knob	ETL	25V/70V	yes
100LVC-PA-DW	100 W	3dB/33dB	autoformer	yes	decorator wall plate	1-gang	white	knob	ETL	25V/70V	yes
100LVC-PA-RM	100 W	3dB/33dB	autoformer	yes	adhesive label	---	black	knob	ETL	25V/70V	yes
KL100-DW	100 W	3dB/33dB	autoformer	---	decorator wall plate	1-gang	white	key	ETL	25V/70V	yes
KL100-DSB	100 W	3dB/33dB	autoformer	---	decorator wall plate	1-gang	ss / black	key	ETL	25V/70V	yes
200LVC	200 W	3dB/33dB	autoformer	---	standard wall plate	2-gang	ss	knob	ETL	70V	yes
200LVC-DSB	200 W	3dB/33dB	autoformer	---	decorator wall plate	2-gang	ss / black	knob	ETL	70V	yes
200LVC-RM	200 W	3dB/33dB	autoformer	---	adhesive label	---	black	knob	ETL	70V	yes
200LVC-RMDB	200 W	3dB/33dB	autoformer	---	subplate	---	black	knob	ETL	70V	yes
KL100-PA-DSB	100 W	3dB/33dB	autoformer	yes	decorator wall plate	1-gang	ss / black	key	ETL	70V	yes
KL100-PA-DSW	100 W	3dB/33dB	autoformer	yes	decorator wall plate	1-gang	ss / white	key	ETL	70V	yes
KL200-DSB	200W	3dB/33dB	autoformer	---	decorator wall plate	2-gang	ss / black	key	ETL	70V	yes
SVC100-PA-DW	100W	3dB/33dB	autoformer	yes	decorator wall plate	1-gang	white	slide-bar	ETL	70V	yes

* Note: Models with 33dB total have 2 steps of 6dB each before off. Models with 13.5dB total have 2 steps with 3dB each before off.

** Adhesive labels are used in rackmount panels or custom applications. ss = stainless steel

THIS SPEC

