

### features . . . . .

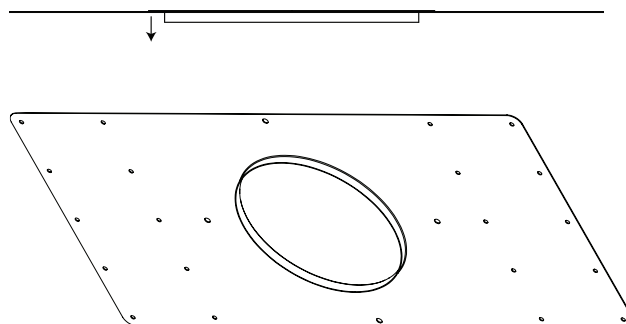
- **Description:** The rough-in bridge is mounted in new construction before the dry-wall ceiling is installed, to serve as a placeholder for Lowell speaker model #ES-4T.
- **Construction:** Formed 20-gauge steel construction — lightweight, rigid support
- **Finish:** Galvanized finish
- **Mounting Holes:** Pre-set (3/16" diameter) mounting holes on 16" and 24" centers.
- **Dimensions:** 25" x 12"
- **Center Opening:** 7.25" diameter
- **Origin:** Made in the U.S.A.
- **Installation:** Mount to joists, rafters, trusses, metal rails, or other ceiling support structures. *NOTE: Because the types of screws required to mount the bridge vary widely depending on the construction of the ceiling structure, mounting screws are not included with the bridge and should be supplied by the installer.*
- **Compatible Speaker:** (order separately)
  - Lowell #ES-4T: 4" dual cone speaker with transformer, grille, and enclosure

### a&e specifications . . . . .

The rough-in bridge shall be Lowell Model #ES-4-RIB, which shall be formed 20-gauge steel construction with galvanized finish. It shall feature 3/16" diameter mounting holes on 16" and 24" centers. It shall have overall dimensions of 25" x 12" with a center opening having a diameter of 7.25". The rough-in bridge shall be compatible with Lowell speaker model #ES-4T.

### installation . . . . .

Mount the bridge with the lip of the ring facing down towards the floor.



technical drawings

Measurements are inches and [mm] unless stated otherwise.

