



INSTALLATION: Recessed
FOR SPEAKER SIZE: 8" EIA
FOR GRILLE TYPE: Screw-mount or Torsion

For use with an 8" speaker and torsion or screw-mount grille, the blind-mount enclosure includes a steel backbox and a plastic mounting ring. It's ideally suited for drywall or plaster ceilings that require a recessed enclosure to be installed from below because above-ceiling access is not available.

FEATURES:

- **Construction:** Backbox is welded, unitized 22-gauge U.S. steel with black powder epoxy finish. The plastic mounting ring has a breakaway groove to facilitate threading the ring with 13.812" diameter into a smaller opening (12.125" dia.).
- **Diameter:** 10.062" can diameter
- **Depth:** 6.69" deep
- **Volume:** 0.308 cu.ft.
- **Knockouts:** Four combination (1/2"–3/4") side knockouts and four 1/2" wire knockouts.
- **Lining:** Foam pad in rear reduces acoustic and metallic resonance.
- **Mounting:** Two welded brackets inside the enclosure mount a variety of torsion grilles for a hardware-free appearance, while tinnerman clips on the flange allow the four 8-32 screws to mount a screw-mount style grille.
- **Country of Origin:** Backbox is made in the USA with certified US steel

A&E SPECIFICATIONS:

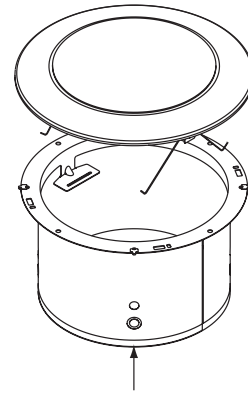
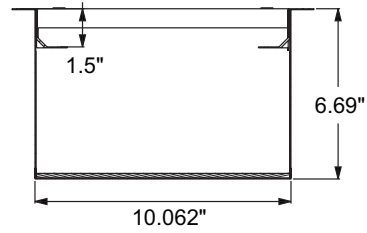
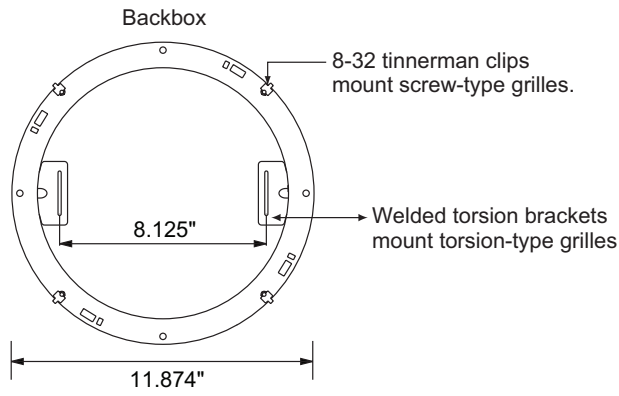
The blind-mount enclosure for use with 8" speakers shall be Lowell model BME87, which shall include a 22-gauge steel backbox with black powder epoxy finish and black plastic mounting ring with a breakaway groove to facilitate threading the 13.81" diameter ring into a 12.125" opening. Can diameter shall be 10.06" and depth shall be 6.69". It shall feature four combination 1/2"–3/4" knockouts for conduit and four 1/2" knockouts for wire. The unit shall have a foam pad to reduce acoustic and mechanical resonance. It shall include two welded brackets to mount a torsion grille and 8-32 tinnerman clips for a screw-mount grille. Grille and speaker shall be ordered separately.

COMPATIBLE COMPONENTS (order separately):

- Speakers: Standard EIA 8" speaker.
- Grilles (screw-mount): A8-AW, CS-8H, L08-P, RS8-AW, WB-8
- Grilles (torsion): CN8M, WB-8T

BME series summary

Model No.	For Speaker Size	For Grille Type	Backbox Diameter	Backbox Depth	Backbox Volume	Backbox Lining	Conduit Knockouts	Wire Knockouts	Mounting Ring
BME84	8"	Screw or Torsion	10.06"	4.06"	0.187 cu.ft.	Foam pad	4	4	13.812"
▶ BME87	8"	Screw or Torsion	10.06"	6.69"	0.308 cu.ft.	Foam pad	4	4	13.812"



Knockouts:
1/2"-3/4" (combination) for conduit
1/2" for wire access

Typical ceiling cutout:
12.25" diameter

