

For use with an 8" speaker and torsion or screw-mount grille, the blind-mount enclosure includes a steel backbox and a plastic mounting ring. It's ideally suited for drywall or plaster ceilings that require a recessed enclosure to be installed from below because above-ceiling access is not available.

FEATURES:

- **Construction:** Backbox is welded, unitized 22-gauge U.S. steel with black powder epoxy finish. The plastic mounting ring has a breakaway groove to facilitate threading the ring with 13.812" diameter into a smaller opening (12.125" dia.).
- **Diameter:** 10.062" can diameter
- **Depth:** 4.06"
- **Volume:** 0.187 cu.ft.
- **Knockouts:** Four combination (1/2"–3/4") side knockouts and four 1/2" wire knockouts.
- **Lining:** Foam pad in rear reduces acoustic and metallic resonance.
- **Mounting:** Two welded brackets inside the enclosure mount a variety of torsion grilles for a hardware-free appearance, while tinnerman clips on the flange allow the four 8-32 screws to mount a screw-mount style grille.
- **Country of Origin:** Backbox is made in the USA with certified US steel

A&E SPECIFICATIONS:

The blind-mount enclosure for use with 8" speakers shall be Lowell model BME84, which shall include a 22-gauge steel backbox with black powder epoxy finish and black plastic mounting ring with a breakaway groove to facilitate threading the 13.81" diameter ring into a 12.125" opening. Can diameter shall be 10.06" and depth shall be 4.06". It shall feature four combination 1/2"–3/4" knockouts for conduit and four 1/2" knockouts for wire. The unit shall have a foam pad to reduce acoustic and mechanical resonance. It shall include two welded brackets to mount a torsion grille and 8-32 tinnerman clips for a screw-mount grille. Grille and speaker shall be ordered separately.

COMPATIBLE COMPONENTS (order separately):

- **Speakers:** Standard EIA 8" speaker.
- **Grilles (screw-mount):** A8-AW, CS-8H, L08-P, RS8-AW, WB-8
- **Grilles (torsion):** CN8M, WB-8T
- **Driver+Grille Assemblies:** C1830-870, R1810-72, R1810-72K, R1810-72S, RT1810-72



INSTALLATION: Recessed

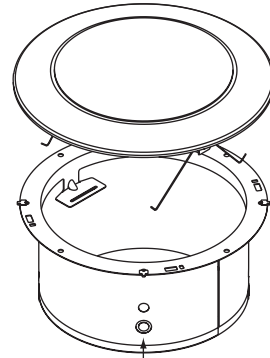
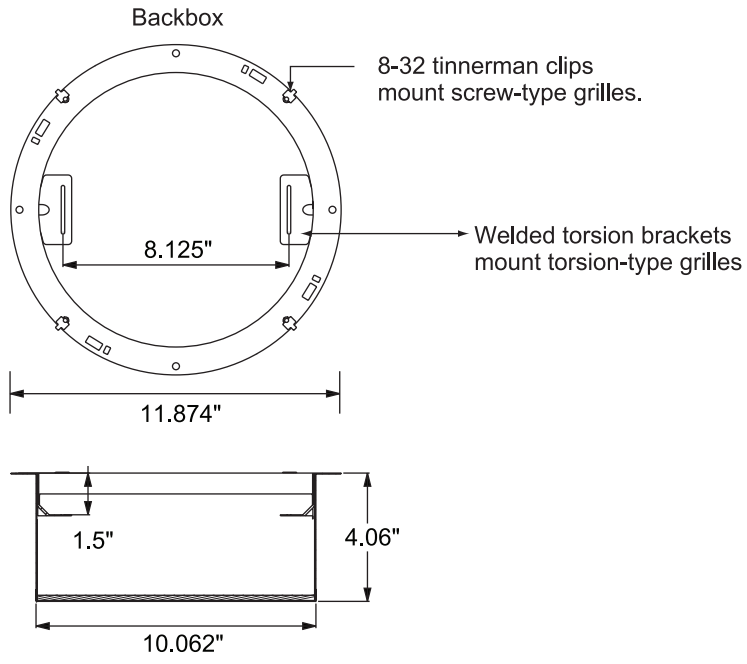
FOR SPEAKER SIZE: 8" EIA

FOR GRILLE TYPE: Screw-mount or Torsion

BME series summary

Model No.	For Speaker Size	For Grille Type	Can Diameter	Backbox Depth	Backbox Volume	Backbox Lining	Conduit Knockouts	Wire Knockouts	Mounting Ring
▶ BME84	8"	Screw or Torsion	10.06"	4.06"	0.187 cu.ft.	Foam pad	4	4	13.812"
BME87	8"	Screw or Torsion	10.06"	6.69"	0.308 cu.ft.	Foam pad	4	4	13.812"





Knockouts:
1/2"-3/4" (combination) for conduit
1/2" for wire access

Typical ceiling cutout:
12.25" diameter

