

The MC-301 provides a simple solution to mount a paging speaker and 12" analog clock in a single installation, a set-up typically used in classrooms, recreation facilities, and professional buildings. The dual-function approach provides a clean appearance with reduced fixture and labor costs. Order backbox, speaker, and clock separately.

*Note: This model is for use with a recessed backbox.*

### INCLUDES:

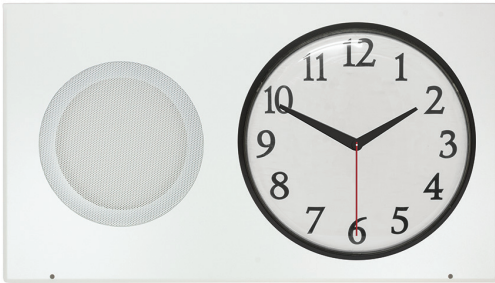
- **Construction:** 18-gauge certified U.S. steel panel with white powder epoxy finish, round perforated area for clear music and paging transmission, and a cutout to mount a standard 12" analog clock
- **Dimensions:** 27.25" x 17"
- **Mounting Aids:**
  - Welded studs to mount an 8" EIA speaker
  - Provisions/hardware to install the universal clock-mounting bracket for vertical or horizontal orientation of a standard 12" analog clock
- **Country of Origin:** Made in U.S.A.

### A&E SPECIFICATIONS:

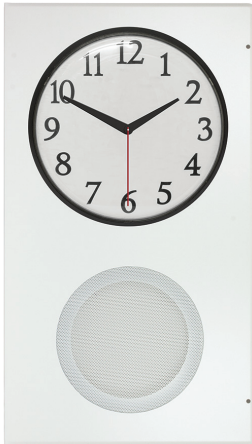
The panel/grille for the clock/speaker center shall be Lowell model MC-301. It shall be 18-gauge steel with white powder epoxy finish, 27.25" x 17". The assembly shall include a solid face plate with round perforated area, welded studs for installing an 8" speaker, and a clock-mounting bracket with hardware for horizontal or vertical installation of a standard 12" analog clock. It shall include hinges and screws for installation to recessed backbox. Speaker, recessed backbox, and clock shall be ordered separately.

### COMPATIBLE COMPONENTS (order separately):

- Speaker: 8" EIA (typically model 810-T72 which includes 25/70V transformer)
- Recessed Backbox: PC312
- Standard 12" Analog Clock: Source from clock supplier.



Sample installation with clock.  
Clock is not included.

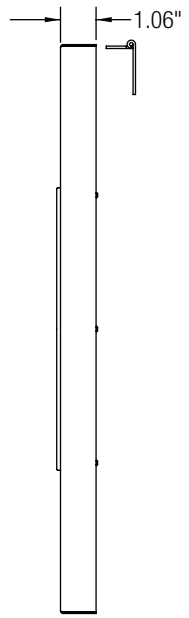
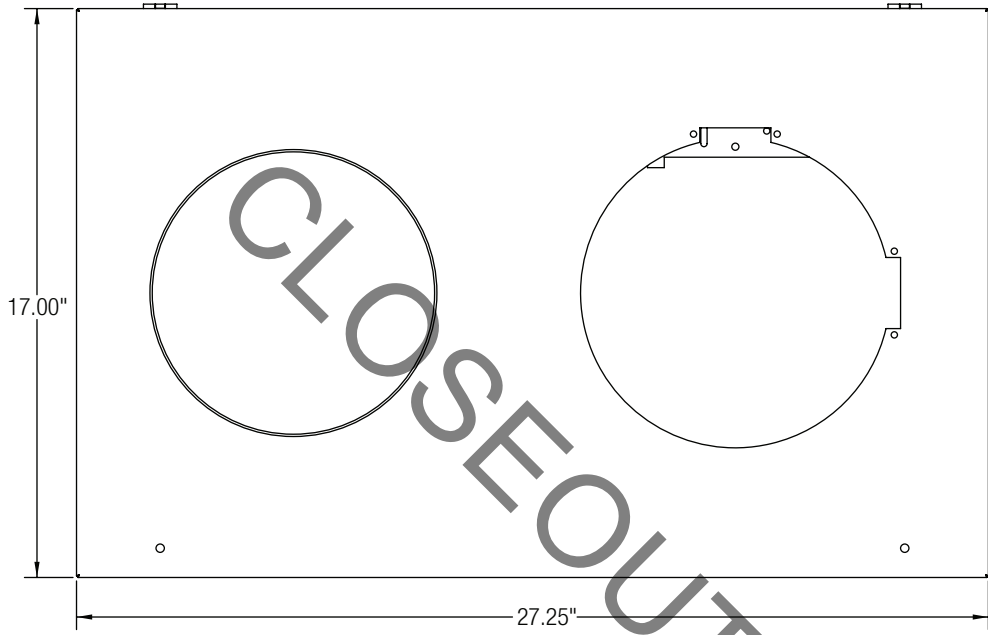
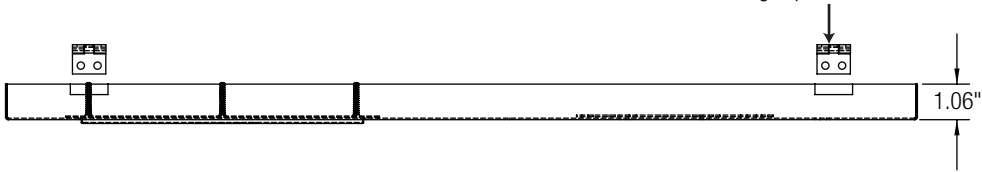


For horizontal or vertical orientation.

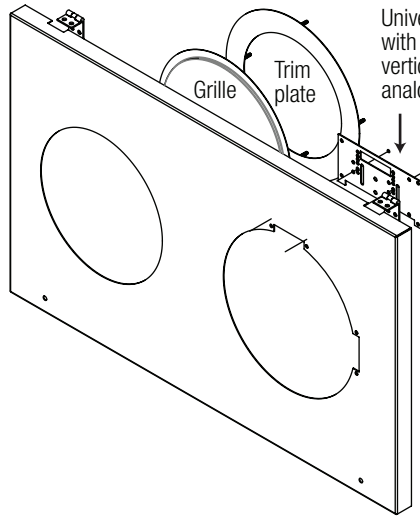
### MC Series Summary (for clock/speaker centers)

| Model No. | Description                     | Dimensions   | For Use With                |
|-----------|---------------------------------|--------------|-----------------------------|
| ▶ MC-301  | Panel w/round perforated grille | 27.25" x 17" | Recessed Backbox PC312      |
| MC-701    | Panel w/round perforated grille | 26" x 14.5"  | Surface-mount Backbox PC712 |

Hinges provide service access



Exploded View  
The grille and trim plate are factory-welded.



Universal mounting bracket installs with hardware provided for horizontal or vertical installation of a standard 12" analog clock (by others).

