

Sample installation.
Clock is not included with grille.



Series

DC802

Grille for Digital Clock/Speaker Center

The DC802 grille series provides a simple solution for installing an 8" paging speaker and digital clock in a single unit. The compact dual-function design provides a small architectural footprint, reducing fixture and labor costs—ideal for classrooms, sports complexes, medical and professional buildings

Note: Order backbox, speaker, and clock separately.

FEATURES:

CONSTRUCTION: Grille is formed from single piece of 18-gauge steel with white powder epoxy finish.

DIMENSIONS: 12.688" square

CUTOUT: Sized for a digital clock face (see chart below)

MOUNTING AIDS:

- Welded studs to mount a standard 8" speaker
- White screws

COUNTRY OF ORIGIN: Made in U.S.A.

COMPATIBLE COMPONENTS (order separately):

SPEAKER: 810

RECESSED ENCLOSURE: RE1175*

SURFACE-MOUNT ENCLOSURE: SE1275

DIGITAL CLOCK: Source from clock supplier.

A&E SPECIFICATIONS:

The grille for the digital clock/speaker center shall be Lowell model _____, which shall be formed from 18-gauge steel and given a white powder epoxy finish. The grille shall measure 12.688" square. It shall feature a rectangular perforation area, welded studs to mount a standard 8" speaker, and a cutout to mount the specified digital clock. Speaker, clock, and backbox shall be ordered separately.

COMPATIBILITY CHART

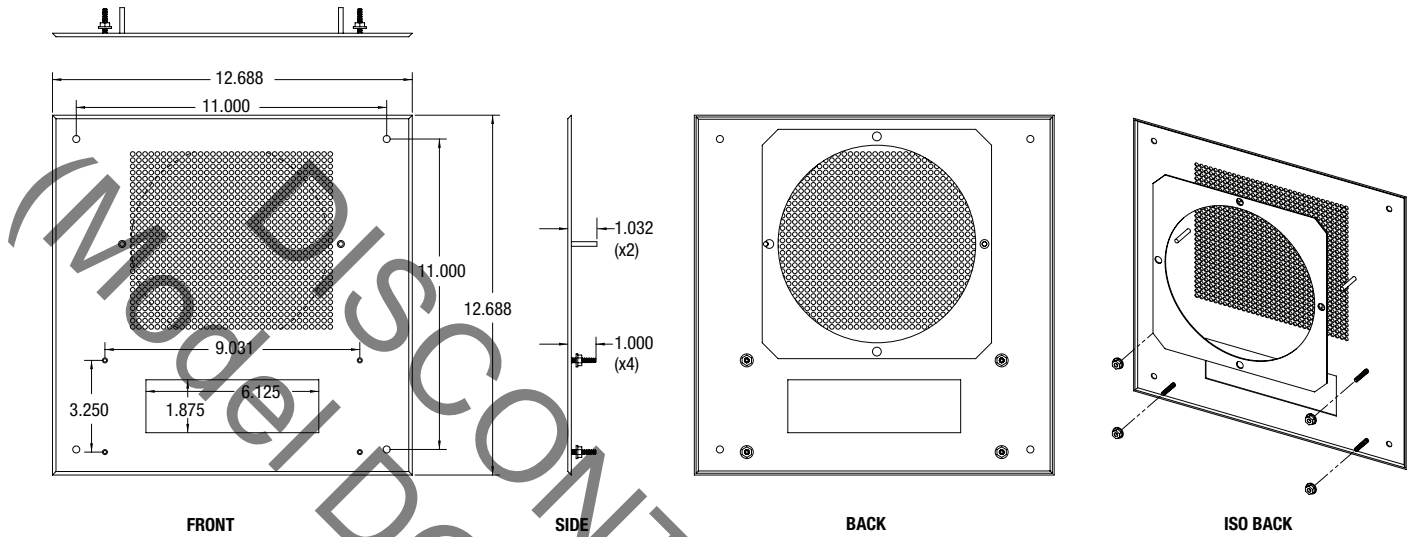
Grille Model	Digital Clock*	Surface Backbox**	Recessed Backbox**	Speaker***
DC802-DD3	Dukane 24D20	SE1275	RE1175	810
	Dukane 24D20A	SE1275	RE1175	810
DC802-DF	Faraday 2363-24	SE1275	RE1175	810
DC802-DR2	Rauland 2520	SE1275	RE1175	810
DC802-SAP1	Sapling SBD 2.5" 4 digits	SE1275	RE1175	810
	Sapling SBP 2.5" 4 digits	SE1275	RE1175	810

* Order clock from clock manufacturer or distributor.

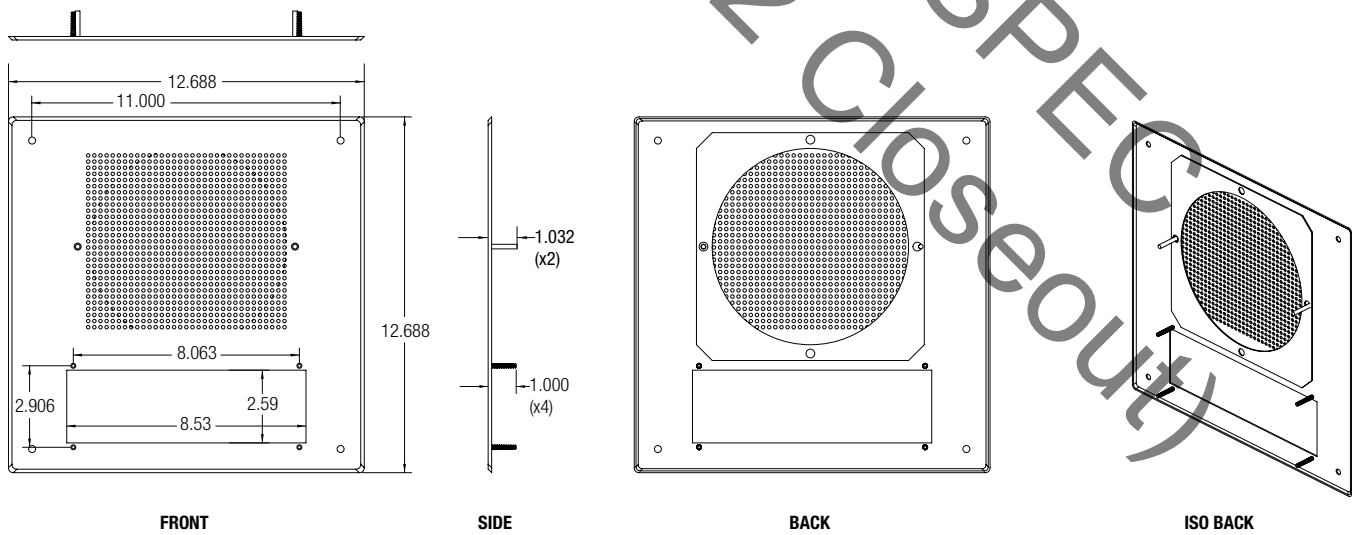
** Open backbox (not divided). If a 110V clock is used the installer will need to isolate the clock to meet local code.

*** Fits standard 8" EIA speaker. Lowell offers many models, including some with a mounted transformer.

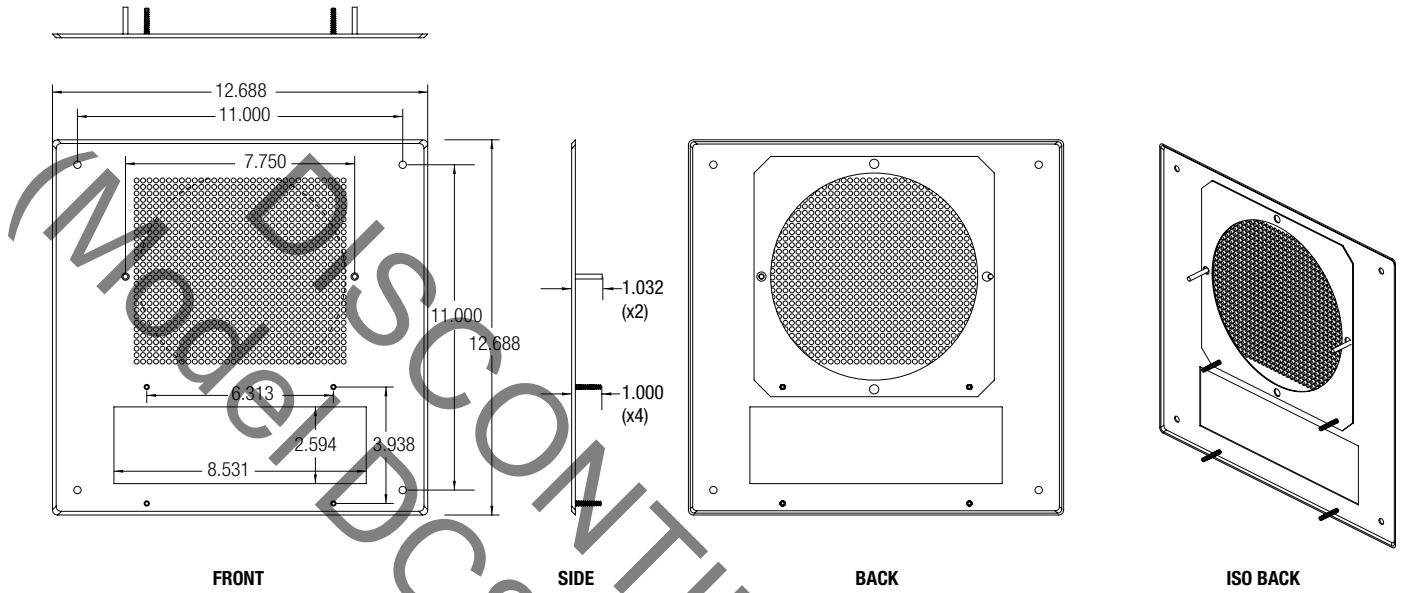
DC802-DD3



DC802-DF



DC802-DR2



DC802-SAP1

