

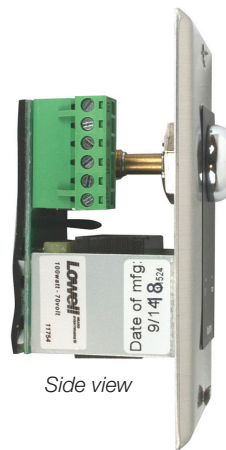
Model No.

KL100-PA-DSB

Volume Control with Bypass
and Key Switch

INCLUDES:

- 100W attenuator
- 1-gang decorator-style wall plate
- Keys



100W ATTENUATOR WITH EMERGENCY BYPASS AND KEY SWITCH secures volume settings for critical paging and/or emergency systems. The control allows precise level adjustment of single or multiple speaker lines and is advantageous for maintaining listening levels for music, paging or sound masking in health clubs, entertainment venues, retail locations, schools, offices and similar facilities. This unit includes a one-gang decorator-style wall plate and key switch.

FEATURES

DESCRIPTION: Mono autoformer attenuator with emergency bypass and key switch for use with 25V/70V speaker line

EMERGENCY BYPASS: 24VDC @5mA relay for applications requiring emergency and paging signals to bypass or override the control.

POWER RATING: 100W

ATTENUATION: 3dB per step (33dB total with two steps of 6dB each before off)

TERMINATION: Phoenix style plug-in screw termination strips for pre-wire convenience

WIRE CAPACITY: Up to 14-gauge

SWITCH TYPE: Key

SWITCH POSITIONS: 0-max (10)

WALL PLATE: One-gang decorator-style wall plate, stainless steel with black subplate. 2.75-in. x 4.5-in.

INSTALLATION: Designed to fit a one-gang E.O. box with minimum depth of 2.125-inches (box not included)

COMPLIANCE & CERTIFICATIONS:

- ETL Listed. Conforms to UL 60065 / UL 2043. Certified to CSA 22.2 #60065.
- Assembled in U.S.A. (U.S. stainless steel wall plate with Chinese components)

A&E SPECIFICATIONS

The mono autoformer attenuator volume control shall be Lowell model KL100-PA-DSB with 100W power rating, 3dB per step attenuation, switch positions 0-max (10), and a priority relay (24VDC @5mA). It shall feature phoenix style plug-in screw termination strips for pre-wire with capacity up to 14-gauge. It shall include a one-gang decorator style stainless steel wall plate with black subplate. Volume adjustment shall be controlled by a key switch.

OPTIONS

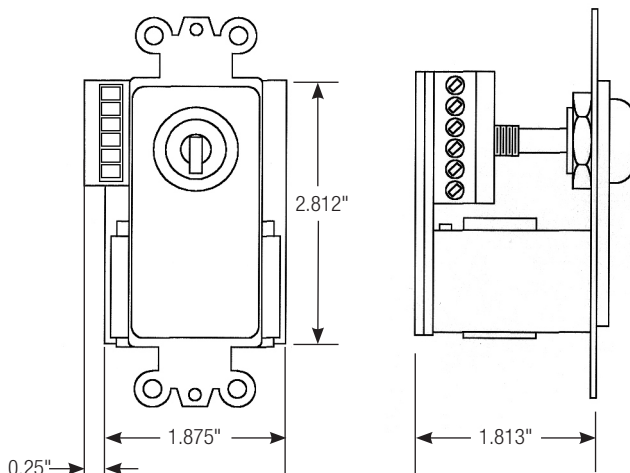
P1X: One-gang surface-mount steel wall box with knockouts and white powder epoxy finish. Includes U-clips.

KL-ANP2 Adaptor Plate: Two-gang stainless steel wall plate will retrofit a one-gang volume control to fit a two-gang box.

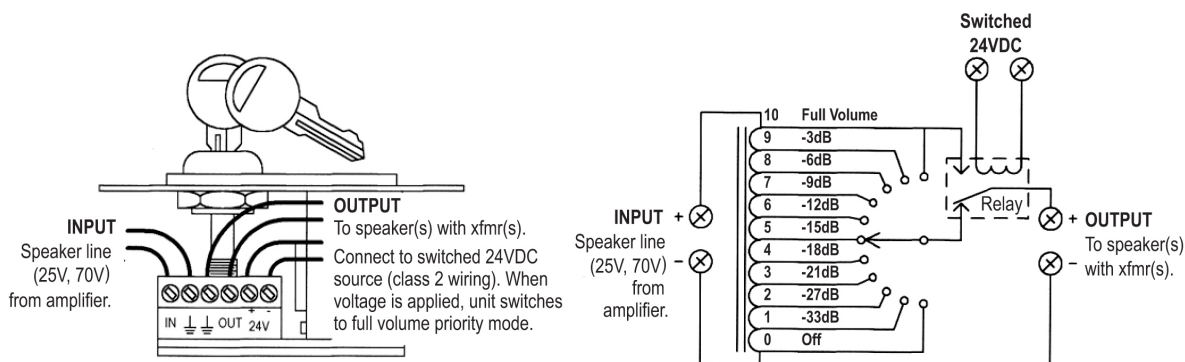
D8P-ID-3 Rack Panel: 19 inch x 3U steel panel is designed to hold up to eight decorator style volume controls by mounting the subplate only (outer wall plate is not used).

DRAWINGS

KL100-PA Series volume controls are designed to mount to most standard recessed E.O. boxes with minimum opening of 2.50-in.W x 2.812-in.H x 2.125-in.D or Lowell one-gang surface-mount box model P1X.



Wiring & Schematics: KL100-PA Series volume controls with priority paging feature.



OVERVIEW: MONO ATTENUATORS

| Model No. | Power Rating | Attenuation Steps* | VC Type | Priority Relay | Mount Type** | Plate Size | Color | Switch | Listing | For Use With |
|--------------|--------------|--------------------|------------|----------------|----------------------|------------|------------|-----------|---------|----------------------|
| 10LVC | 10 W | 3 dB | autoformer | --- | standard wall plate | 1-gang | ss | knob | ---- | 25V/70V speaker line |
| 25LVC | 25 W | 3 dB | autoformer | --- | standard wall plate | 1-gang | ss | knob | ETL | 25V/70V speaker line |
| 25LVC-SA | 25 W | 3 dB | autoformer | --- | standard wall plate | 1-gang | almond | knob | ETL | 25V/70V speaker line |
| 25LVC-SW | 25 W | 3 dB | autoformer | --- | standard wall plate | 1-gang | white | knob | ETL | 25V/70V speaker line |
| 25LVC-DA | 25 W | 3 dB | autoformer | --- | decorator wall plate | 1-gang | almond | knob | ETL | 25V/70V speaker line |
| 25LVC-DB | 25 W | 3 dB | autoformer | --- | decorator wall plate | 1-gang | black | knob | ETL | 25V/70V speaker line |
| 25LVC-DW | 25 W | 3 dB | autoformer | --- | decorator wall plate | 1-gang | white | knob | ETL | 25V/70V speaker line |
| 25LVC-DSB | 25 W | 3 dB | autoformer | --- | decorator wall plate | 1-gang | ss / black | knob | ETL | 25V/70V speaker line |
| 25LVC-DSW | 25 W | 3 dB | autoformer | --- | decorator wall plate | 1-gang | ss / white | knob | ETL | 25V/70V speaker line |
| 25LVC-RM | 25 W | 3 dB | autoformer | --- | adhesive label | --- | black | knob | ETL | 25V/70V speaker line |
| 50LVC | 50 W | 3 dB | autoformer | --- | standard wall plate | 1-gang | ss | knob | ETL | 25V/70V speaker line |
| 50LVC-SA | 50 W | 3 dB | autoformer | --- | standard wall plate | 1-gang | almond | knob | ETL | 25V/70V speaker line |
| 50LVC-SW | 50 W | 3 dB | autoformer | --- | standard wall plate | 1-gang | white | knob | ETL | 25V/70V speaker line |
| 50LVC-DA | 50 W | 3 dB | autoformer | --- | decorator wall plate | 1-gang | almond | knob | ETL | 25V/70V speaker line |
| 50LVC-DB | 50 W | 3 dB | autoformer | --- | decorator wall plate | 1-gang | black | knob | ETL | 25V/70V speaker line |
| 50LVC-DW | 50 W | 3 dB | autoformer | --- | decorator wall plate | 1-gang | white | knob | ETL | 25V/70V speaker line |
| 50LVC-RM | 50 W | 3 dB | autoformer | --- | adhesive label | --- | black | knob | ETL | 25V/70V speaker line |
| 100LVC | 100 W | 3 dB | autoformer | --- | standard wall plate | 1-gang | ss | knob | ETL | 25V/70V speaker line |
| 100LVC-SA | 100 W | 3 dB | autoformer | --- | standard wall plate | 1-gang | almond | knob | ETL | 25V/70V speaker line |
| 100LVC-SW | 100 W | 3 dB | autoformer | --- | standard wall plate | 1-gang | white | knob | ETL | 25V/70V speaker line |
| 100LVC-DA | 100 W | 3 dB | autoformer | --- | decorator wall plate | 1-gang | almond | knob | ETL | 25V/70V speaker line |
| 100LVC-DB | 100 W | 3 dB | autoformer | --- | decorator wall plate | 1-gang | black | knob | ETL | 25V/70V speaker line |
| 100LVC-DW | 100 W | 3 dB | autoformer | --- | decorator wall plate | 1-gang | white | knob | ETL | 25V/70V speaker line |
| 100LVC-DSB | 100 W | 3 dB | autoformer | --- | decorator wall plate | 1-gang | ss / black | knob | ETL | 25V/70V speaker line |
| 100LVC-DSW | 100 W | 3 dB | autoformer | --- | decorator wall plate | 1-gang | ss / white | knob | ETL | 25V/70V speaker line |
| 100LVC-RM | 100 W | 3 dB | autoformer | --- | adhesive label | --- | black | knob | ETL | 25V/70V speaker line |
| 10015LVC | 100 W | 1.5 dB | autoformer | --- | standard wall plate | 1-gang | ss | knob | ETL | 25V/70V speaker line |
| 10015LVC-SW | 100 W | 1.5 dB | autoformer | --- | standard wall plate | 1-gang | white | knob | ETL | 25V/70V speaker line |
| 10015LVC-DB | 100 W | 1.5 dB | autoformer | --- | decorator wall plate | 1-gang | black | knob | ETL | 25V/70V speaker line |
| 10015LVC-DW | 100 W | 1.5 dB | autoformer | --- | decorator wall plate | 1-gang | white | knob | ETL | 25V/70V speaker line |
| 10015LVC-RM | 100 W | 1.5 dB | autoformer | --- | adhesive label | --- | black | knob | ETL | 25V/70V speaker line |
| 100LVC-PA | 100 W | 3 dB | autoformer | yes | standard wall plate | 1-gang | ss | knob | ETL | 25V/70V speaker line |
| 100LVC-PA-SW | 100 W | 3 dB | autoformer | yes | standard wall plate | 1-gang | white | knob | ETL | 25V/70V speaker line |
| 100LVC-PA-DA | 100 W | 3 dB | autoformer | yes | decorator wall plate | 1-gang | almond | knob | ETL | 25V/70V speaker line |
| 100LVC-PA-DB | 100 W | 3 dB | autoformer | yes | decorator wall plate | 1-gang | black | knob | ETL | 25V/70V speaker line |
| 100LVC-PA-DW | 100 W | 3 dB | autoformer | yes | decorator wall plate | 1-gang | white | knob | ETL | 25V/70V speaker line |
| 100LVC-PA-RM | 100 W | 3 dB | autoformer | yes | adhesive label | --- | black | knob | ETL | 25V/70V speaker line |
| KL100-DB | 100 W | 3 dB | autoformer | --- | decorator wall plate | 1-gang | black | key | ETL | 25V/70V speaker line |
| KL100-DI | 100 W | 3 dB | autoformer | --- | decorator wall plate | 1-gang | ivory | key | ETL | 25V/70V speaker line |
| KL100-DW | 100 W | 3 dB | autoformer | --- | decorator wall plate | 1-gang | white | key | ETL | 25V/70V speaker line |
| KL100-DSB | 100 W | 3 dB | autoformer | --- | decorator wall plate | 1-gang | ss / black | key | ETL | 25V/70V speaker line |
| KL100-DSW | 100 W | 3 dB | autoformer | --- | decorator wall plate | 1-gang | ss / white | key | ETL | 25V/70V speaker line |
| 200LVC | 200 W | 3 dB | autoformer | --- | standard wall plate | 2-gang | ss | knob | ETL | 70V speaker line |
| 200LVC-DSB | 200 W | 3 dB | autoformer | --- | decorator wall plate | 2-gang | ss / black | knob | ETL | 70V speaker line |
| 200LVC-RM | 200 W | 3 dB | autoformer | --- | adhesive label | --- | black | knob | ETL | 70V speaker line |
| 200LVC-RMDB | 200 W | 3 dB | autoformer | --- | subplate | --- | black | knob | ETL | 70V speaker line |
| KL100-PA-DSB | 100 W | 3 dB | autoformer | yes | decorator wall plate | 1-gang | ss / black | key | ETL | 70V speaker line |
| KL100-PA-DSW | 100 W | 3 dB | autoformer | yes | decorator wall plate | 1-gang | ss / white | key | ETL | 70V speaker line |
| KL200-DSB | 200W | 3 dB | autoformer | --- | decorator wall plate | 2-gang | ss / black | key | ETL | 70V speaker line |
| SVC100-PA-DW | 100W | 3 dB | autoformer | yes | decorator wall plate | 1-gang | white | slide-bar | ETL | 70V speaker line |

* Note: Models with 33dB total have 2 steps of 6dB each before off.

** Adhesive labels are used in rackmount panels or custom applications.

ss = stainless steel

THIS SPEC