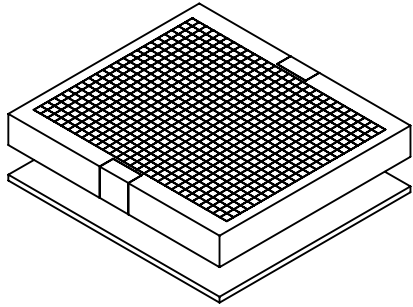
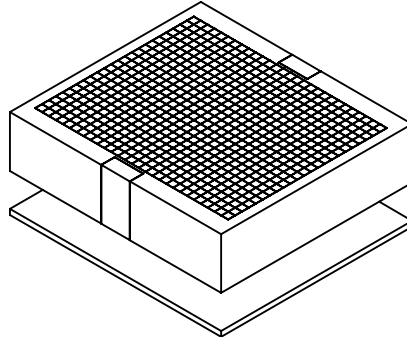


Drawer Foam Inserts

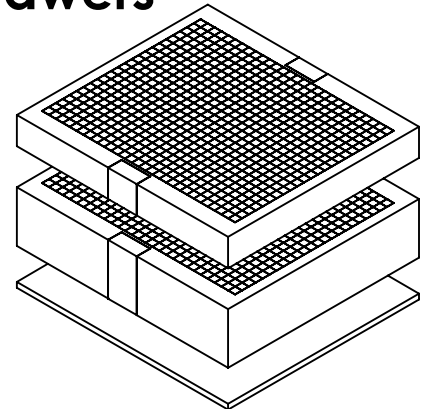
For Model UDP/ UDE/ UDEL Storage Drawers



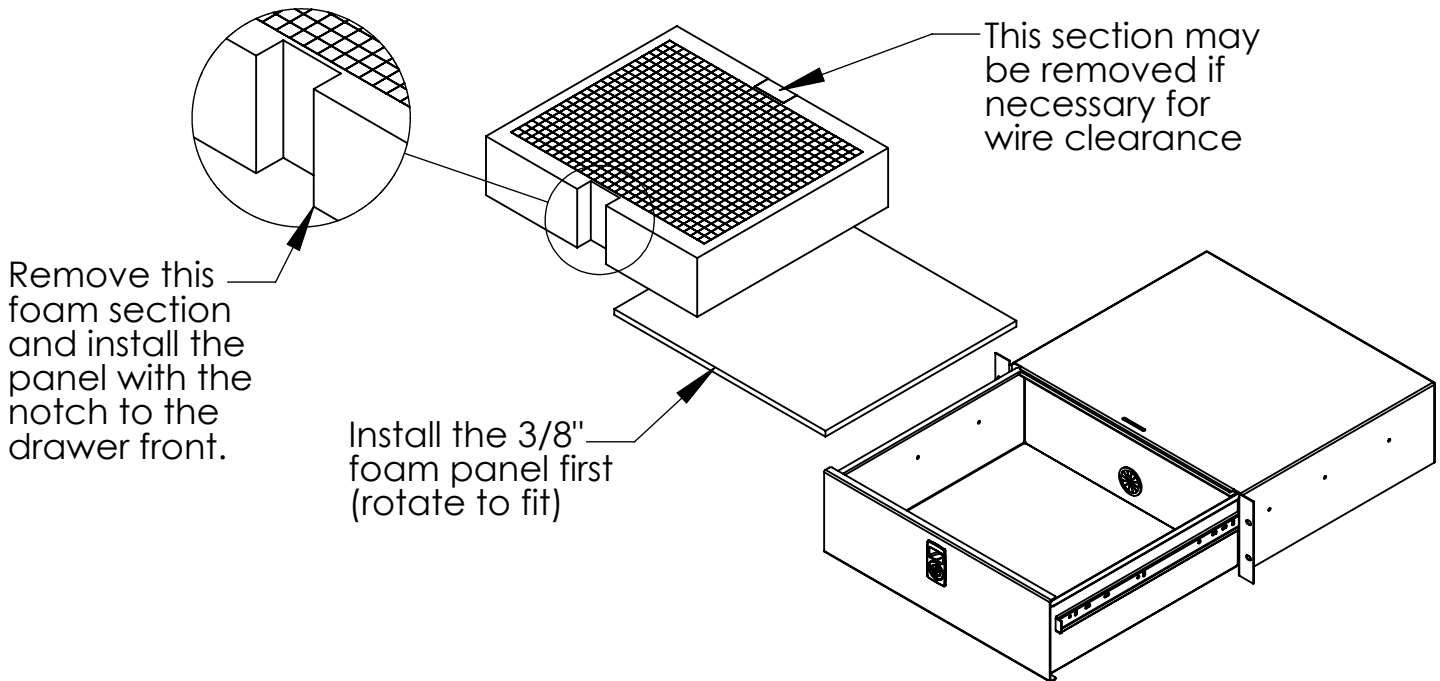
DFI-2



DFI-3



DFI-4



Install the foam panels used in the storage drawers as shown in the illustration above. The 3/8" panel must go in first. Depending on the depth of the drawers, several panels may be required. Model DFI-2 is for a 2RU drawer, Model DFI-3 is for a 3RU drawer and Model DFI-4 is for a 4RU drawer.

Some of the panels are die cut in 1/2" square sections. These sections are designed to be removed to fit the outline of the equipment being installed in each drawer. The depth of the equipment may require removing 1/2" square sections in several panels.

P/N: 17385