



Model No.

# LWTCR-3S

- Tilt-out wall rack with dampers for controlled release
- Surface-mount

Ideal for amplifiers, small mixers, PA systems or consumer electronics, the rack features oil-filled dampers to provide controlled release when opening the bottom compartment. Equipment mounted in the main (bottom) compartment is stored vertically.

### Features

- **Overall Size:** 24.375"W x 32.063"H x 6.063"D. Projects 6.063" from surface of wall.
- **Construction:** Steel with neutral Network Grey finish.
- **Load capacity:** 50 lbs.
- **Main Compartment:** 3U EIA mounting rails accepts equipment up to 5.25"H x 15.3"D x 19"W (stored vertically when compartment is closed). Includes removable shelf (for laptop). Oil-filled dampers control rate of descent when opening compartment. *Note: some electronics may require rack to be fully open (90 degrees) to operate correctly.*
- **Top Compartment:** 3U (5.25"H x 4.3"D x 19"W) mounting area hidden behind a pocket door. Right hinge swings out to service devices mounted to optional 19"W panel.
- **Knockouts:** 0.875" knockouts in top and bottom. 1.5"-1" compound knockouts in rear.
- **Vents:** At bottom and along integral formed handle.
- **Raceway:** 1" cable raceway on each side for wiring.
- **Lock:** Top/bottom compartments secure with single lock.
- **E.O. Box:** Single gang box in base allows convenient connection to AC power.
- **Backbox:** Rear keyholes on 16" centers. Rear knockouts on 12" centers.

### A&E Specifications

The surface-mount wall rack with tilt-open operation shall be Lowell Model LWTCR-3S which shall measure 24.375"W x 32.063"H and project 6.063" from wall. Construction shall be steel with front vents and a neutral Network Grey powder epoxy finish. The assembly shall include a backbox and two compartments to mount 19"W equipment. The backbox shall feature 0.875" knockouts in top and bottom, and 1.5"-1.0" compound knockouts in rear. The main compartment shall mount equipment measuring up to 5.25"H (3U) x 15.3"D and store it in a vertical position. Oil-filled dampers shall control lowering of equipment when the compartment is opened. A removable shelf shall be included. The top compartment shall mount equipment up to 5.25"H (3U) x 4.3"D. The right rail shall be hinged to allow swing out operation for servicing. The assembly shall have a load capacity of 50 lbs. and include a single gang EO box in the base.

### Model No. Summary

Model No.	Description	Mounting Style	Overall Width	Overall Height	Wall Projection
LWTCR-3S	Wall-mount Tilt-out Rack with controlled release	surface	24.375 in / 619 mm	32.063 in / 814 mm	6.063 in / 154 mm

One rack unit (RU or U) = 1.75 inches or 44.45 mm. Some measurements may have been rounded.

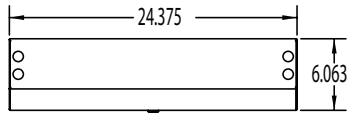


### Optional (order separately)

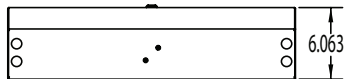
- **Panel Model No. D8P-ID-3:** 19"W rackmount panel with punches for decorator style controls fits in top compartment.

## Technical Drawings

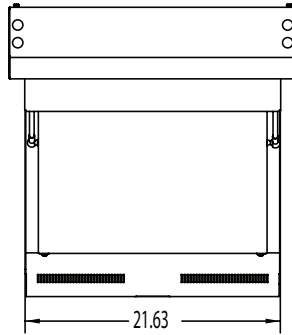
Measurements are inches except as noted.



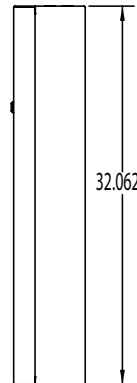
TOP VIEW



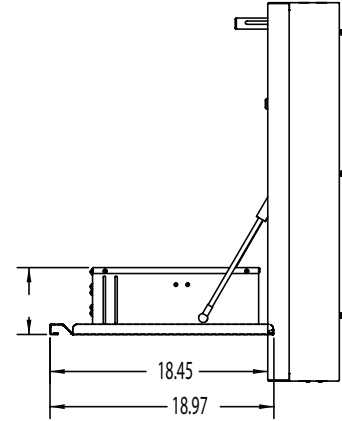
BOTTOM VIEW



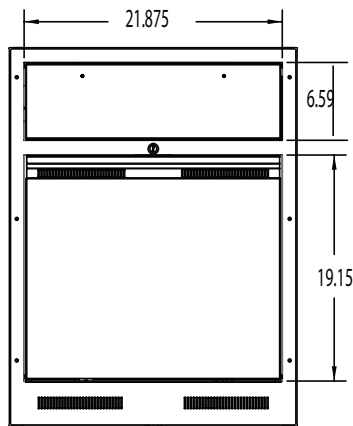
TOP VIEW (OPEN)



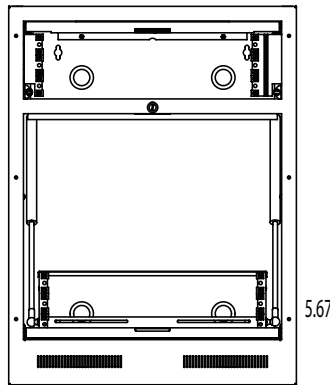
SIDE VIEW



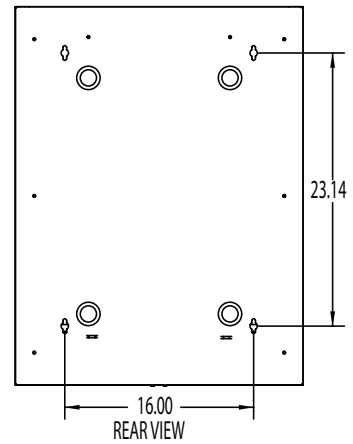
SIDE VIEW (OPEN)



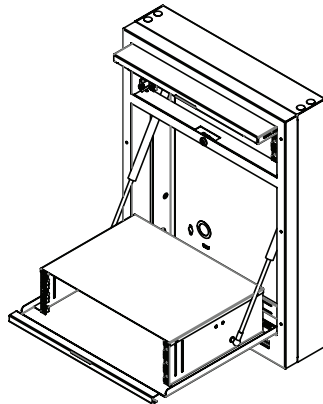
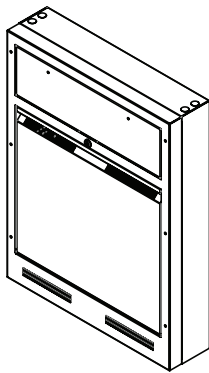
FRONT VIEW



FRONT VIEW (OPEN)



REAR VIEW



**Backbox:** 24.375"W x 32.062"H x 4.25"D mounts to wall using hardware by others.  
**Frame:** 24.375"W x 32.063"H x 1.813"D mounts to backbox using hardware provided.