

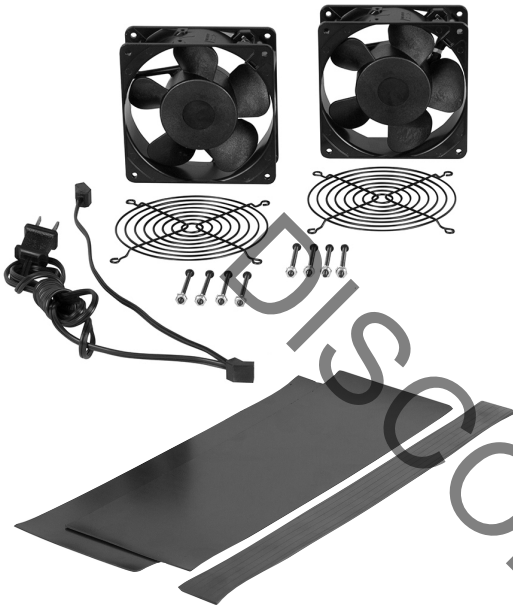
Thermal management kit for LWR series racks includes two whisper fans with dual output cord and magnetic vent blockers to direct airflow as needed. Ideal for cooling rack hot spots.

### FEATURES

- Fans
  - Cast aluminum housing with black finish
  - Finger guards
  - Dual output cord with plug.
  - 4.7" fan diameter
  - 50 cfm airflow rating (per fan)
  - 28 dBA noise rating (per fan)
  - 5.5 watts power required (per fan)
  - Mount to side vent pattern of Lowell LWR Series wall-mount racks for quick field installation without drilling.
  - Can be field installed as either intake or exhaust
- Magnetic vent blockers
  - Black magnetic panels fit over vents in LWR Series rack and are typically mounted on the inside
  - 0.60" thick material is magnetic on one side
  - Includes three panels: one panel measuring 19" x 1.5" and two panels measuring 16.5" x 5.25"
  - Field-trimmable

### A&E SPECIFICATIONS

The thermal management kit shall be Lowell Model No. FW2-KIT-VB which shall feature two single (4.7" sq. x 1.5"D) fans with cast aluminum housings and black finish. Each fan is rated at 50cfm airflow and 28dBA noise rating. The unit shall include fan guards and a dual output cord and plug. It shall also include a total of three panels to block vents and help manage airflow in an LWR Series rack. The panels shall be magnetic on one side and measure 19" x 1.5" (one panel) and 16.5" x 5.25" (two panels).



Model FW2-KIT-VB



Optional: Fan filter, model FW-ff.

### SERIES OVERVIEW

Model No.	Panel Description	Height x Width (square)	Fan Quantity	Total Airflow	Total Noise Rating	Power Required	Cord Type
FW2-KIT-VB	Thermal management kit for LWR series racks	4.7 in. / 119mm	1	50cfm	28dBA	5.5 watts	standard (black)
FW2-KITT-VB	Thermal management kit for LWR series racks w/thermo cord	4.7 in. / 119mm	1	50cfm	28dBA	5.5 watts	thermostat (green)

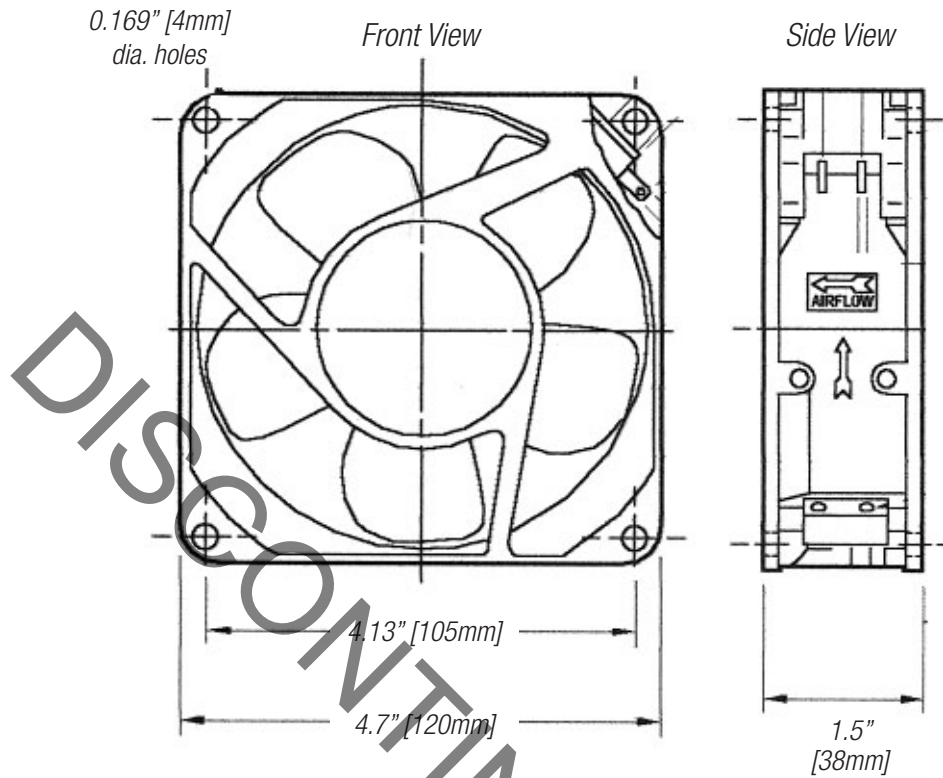
Optional:

FW-FF	Fan filter						
-------	------------	--	--	--	--	--	--

One rack unit (RU or U) = 1.75 inches or 44.45 mm. Some measurement have been rounded.



**TECHNICAL DRAWINGS** Dimensions are inches and [mm] unless stated otherwise.



**INSTALLATION GUIDE**

