

Model No.

10KLVC-DA

Potentiometer Volume Control

INCLUDES:

- Linear taper potentiometer volume control
- 1-gang decorator-style wall plate
- Rotary knob



THE LINEAR TAPER POTENTIOMETER VOLUME CONTROL allows an amplifier's control voltage to be set or adjusted from a single remote location. This unit includes a one-gang decorator-style wall plate with rotary knob.

FEATURES

DESCRIPTION: The linear taper potentiometer volume control, for single-point remote level adjustment of a voltage controlled amplifier (VCA), is designed to interface directly with 3-wire, 0-10 volt control inputs that are typical on most VCAs.

RESISTANCE: 10k ohm

POWER RATING: 1/2W

TERMINATION: Phoenix style plug-in screw termination strips for pre-wire convenience

WIRE CAPACITY: Up to 14-gauge

SWITCH TYPE: Rotary knob, almond

ATTENUATION: Continuous attenuation with stops at 0 and maximum, plus incremental detents for precision feel.

WALL PLATE: One-gang decorator-style wall plate, almond. 2.75 in. x 4.5 in. with printed dial scale

COUNTRY OF ORIGIN: Assembled in U.S.A. (Chinese components)

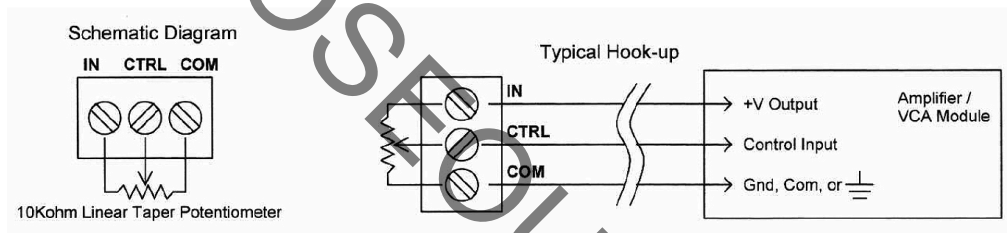
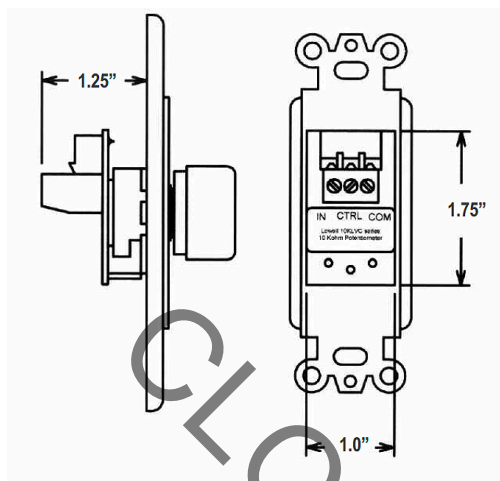
A&E SPECIFICATIONS

The potentiometer volume control shall be Lowell model 10KLVC-DA, which shall be a linear taper style potentiometer with 10k ohm resistance and 1/2W power rating. It shall be compatible with three wire 0-10 volt control inputs on voltage control amplifiers for level adjustment from a single remote location. Attenuation shall be continuously variable with stops at 0 and maximum levels. The control shall be mounted to an almond decorator-style wall plate with printing and include a rotary knob.

OPTIONS

P1X: One-gang surface-mount steel wall box with knockouts and white powder epoxy finish. Includes U-clips.

DRAWINGS



10KLVC SERIES OVERVIEW

Model No.	Power Rating	Resistance	Taper	Steps	Switch Type	Style	Color	For Use With
10KLVC-DA	1/2W	10k ohm	linear	continuous	rotary knob	1g decorator wall plate	almond	VCA/audio circuit
10KLVC-DB	1/2W	10k ohm	linear	continuous	rotary knob	1g decorator wall plate	black	VCA/audio circuit
10KLVC-DW	1/2W	10k ohm	linear	continuous	rotary knob	1g decorator wall plate	white	VCA/audio circuit
10KLVC-DSW	1/2W	10k ohm	linear	continuous	rotary knob	1g decorator wall plate	ss/white	VCA/audio circuit
10KLVC-RM	1/2W	10k ohm	linear	continuous	rotary knob	adhesive label	black	VCA/audio circuit