

Attractive aluminum grille for 12" speakers features a two-step design to add visual depth, a signature in the industry. It's ideal for offices, hotels, schools, medical, retail, commercial facilities and a wide variety of climates including some indoor and outdoor applications where steel grilles would not be suitable.

FEATURES:

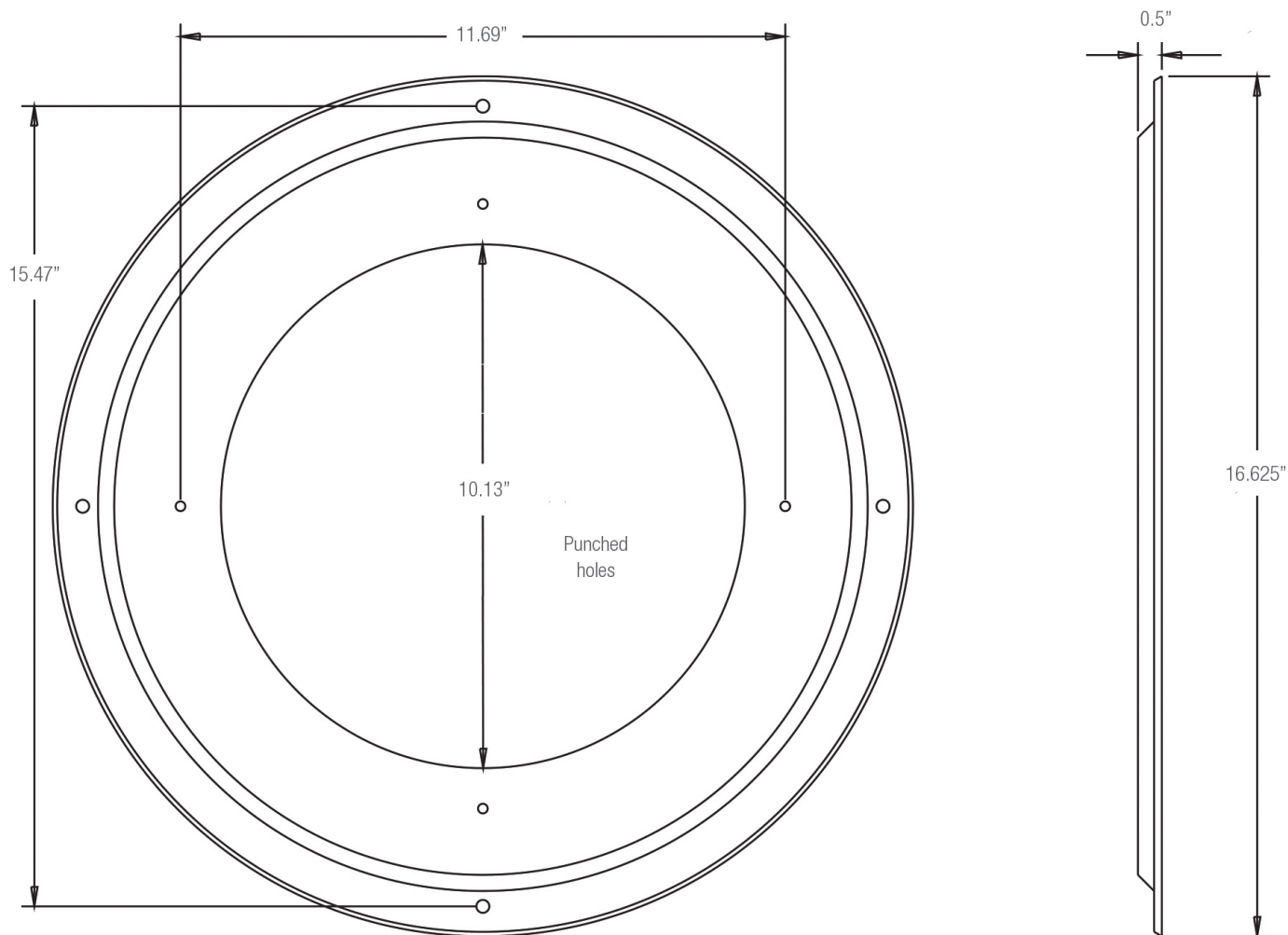
- **Construction:** Precision formed 0.04 aluminum with peripheral flange and white powder epoxy finish features a two-step stamped design, contoured edge and circular perforation pattern that help achieve an embossed multi-level appearance.
- **Overall Dimensions:** 16.625" diameter
- **Mounting Projection:** 0.5"
- **Mounting Bolt Circle:** 15.47" diameter
- **Speaker Bolt Circle:** 11.69" diameter
- **Country of Origin:** Made in USA
- **Hardware (included):**
 - (4) 8-32 x 3/4" white screws with hex nuts to mount a speaker to the grille
 - (4) 8-32 x 2" white screws to mount an enclosure
- **A&E Specifications:** The grille for 12" speakers shall be Lowell model RS12-AW, which shall be .04 aluminum with multi-level finished surface and peripheral flange of 60-degrees. Overall diameter shall be 16.625" with mounting projection of 0.5". The grille shall have four .218" holes spaced at 90-degree intervals for mounting the speaker and four .25" holes spaced at 90-degree intervals on 15.47" bolt circle to mount an enclosure. The grille shall have a white powder epoxy finish and include matching screws.



COMPATIBLE COMPONENTS (order separately):

Note: Grilles are designed to work with speakers, enclosures, and mounting accessories listed on this specification sheet. Using the grille to install speakers without a metal enclosure may not meet the requirements of all local and national electrical and building codes. The installer should request approval of the installation method from the Authority Having Jurisdiction (AHJ) before installing the speaker system.

Application	Speaker	Enclosure	Mounting Aids
RECESSED in Tile Ceiling with enclosure	12" EIA	XCP1210	SS Series (rails)
RECESSED Before Drywall Installed with enclosure	12" EIA	XCP1210	SS Series (rails)



Four .218" holes spaced at 90-degree intervals to mount a speaker

Four .25" holes spaced at 90-degree intervals on 15.47" bolt circle to mount an enclosure

WARNING! Speaker installation should only be performed by experienced qualified professionals with knowledge of load-rated hardware and safe installation, mounting, and rigging techniques. Improperly installed equipment can result in property damage, personal injury, death, and/or liability to the installing contractor. The speaker system must be mounted in accordance with all local, state, and federal codes and regulations and the installation must conform to industry standard practices. It is the responsibility of the installer to furnish all installation hardware, rigging hardware, and safety or restraint cables to be used. Before installation, it is the responsibility of the installer to consult a licensed mechanical or structural engineer to evaluate and certify the structural integrity and safety of any mounting method and the suitability of that method to be used to mount the loudspeaker to the building structure in this particular installation. Lowell Manufacturing is not responsible for the use, misuse, misapplication, or unsafe installation of this loudspeaker product.

