

Molded from high-impact polystyrene plastic, model L08-P features a flush trim ring with round interior rim and honeycomb style center grille to provide 60% open area for maximum sound transmission of an 8" loudspeaker. It's ideal for commercial spaces such as offices, medical facilities, retail stores, hotels and similar areas where plastic is preferred over steel or aluminum.

FEATURES:

- **Construction:** White high-impact polystyrene plastic
- **Paintable:** Grille can be painted to match or contrast architectural decor.
- **Overall Dimensions:** 12.625" diameter
- **Mounting Projection:** 0.4375"
- **Mounting Bolt Circle:** 11.25" diameter
- **Speaker Screw Circle:** 7.625" diameter
- **Country of Origin:** Made in USA
- **Hardware (included):**
 - (4) 10 x 1/2" screws to mount an EIA 8" speaker to the four concealed screw bosses.
 - (4) 8-32 x 1-1/2" white screws to mount the assembly to an enclosure.
- **A&E Specifications:** The grille for 8" speakers shall be Lowell model L08-P, which shall be suitable for painting. It shall be molded high-impact polystyrene plastic with flush trim ring, round interior rim, and honeycomb style center grille. Overall diameter shall be 12.625" with mounting projection of 0.437" from the ceiling. The grille shall have four concealed screw bosses spaced at 90-degree intervals to mount the specified speaker using self-tapping screws (provided). The grille shall have four 0.25" holes spaced at 90-degree intervals on a 11.25" bolt circle for mounting specified enclosure or mounting ring using white screws.



Front



Rear



Made in USA

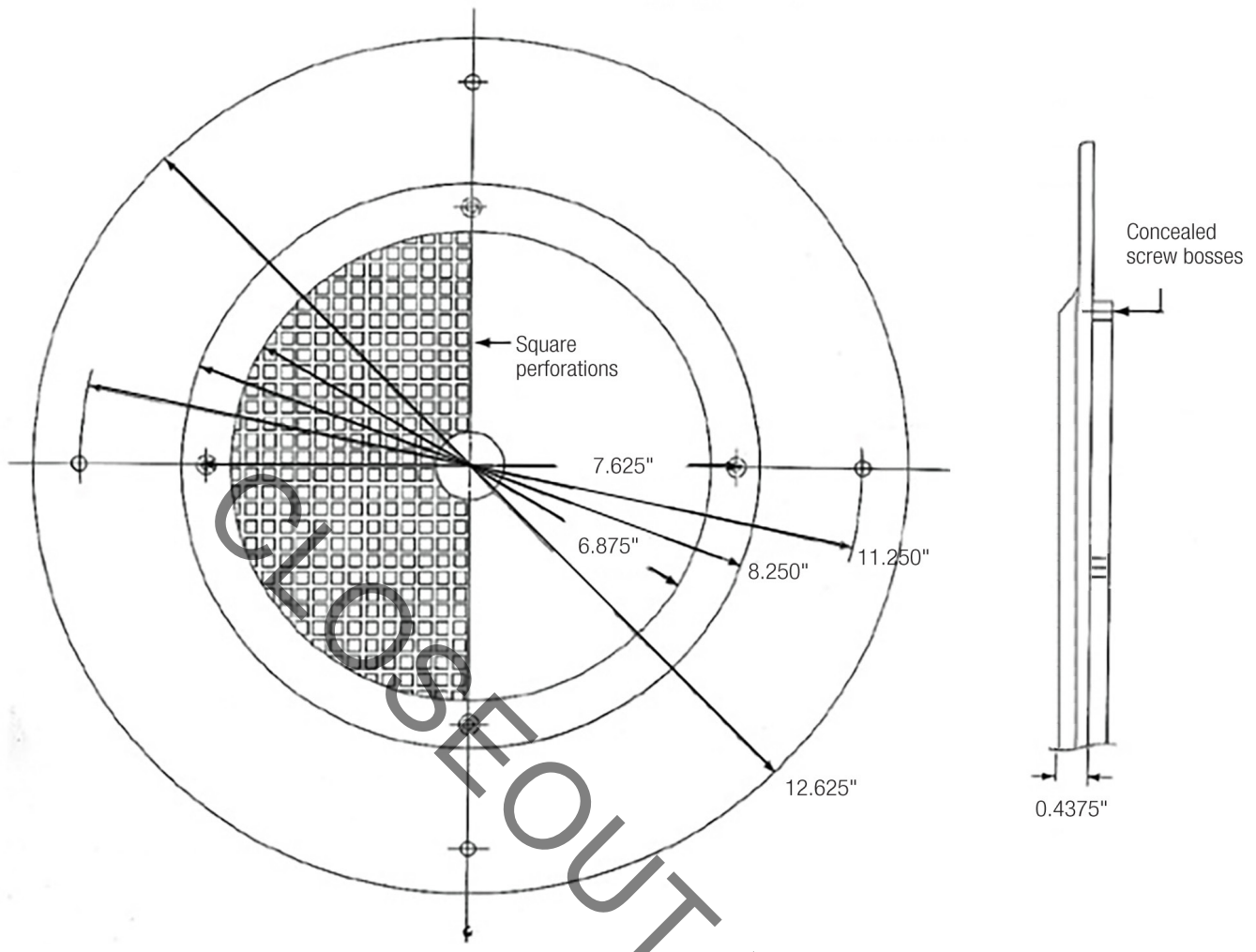
COMPATIBLE COMPONENTS (order separately):

Note: Grilles are designed to work with speakers, enclosures, and mounting accessories listed on this specification sheet. Using the grille to install speakers without a metal enclosure may not meet the requirements of all local and national electrical and building codes. The installer should request approval of the installation method from the Authority Having Jurisdiction (AHJ) before installing the speaker system.

Application	Speaker	Enclosure	Mounting Aids
RECESSED in Tile Ceiling with enclosure	8" EIA	8XD4, 8XD4-P, 8XD4-S, 8PSBX, XCP84, XCP84-S, XCP87, XCP810	LBS8, LBS8-R1 (t-bridge)
		CP84, CP87, CP810, DX108	LBS8-CP (t-bridge)
RECESSED in Tile Ceiling without enclosure	8" EIA	-----	LBS8, LBS8-R1 (t-bridge)
RECESSED Before Drywall Installed with enclosure	8" EIA	CP84, CP87, CP810, DX108	SS Series (rails)
		8XD4, 8XD4-P, 8XD4-S, 8PSBX, XCP84, XCP84-S, XCP87, XCP810	PR8-1624 (rough-in bridge)
RECESSED Before Drywall Installed without enclosure	8" EIA	-----	PR8-1624 (rough-in bridge)
RECESSED in Existing Drywall with enclosure	8" EIA	BME84, BME87	-----
RECESSED in Existing Drywall without enclosure	8" EIA	-----	RMP8 (ring)

Note: Robust coaxial speakers, such as Lowell 8A50 or 8P100, require a large volume enclosure (greater than 4"D).





QUOTE/SPEC OUT MODEL

WARNING! *Speaker installation should only be performed by experienced qualified professionals with knowledge of load-rated hardware and safe installation, mounting, and rigging techniques. Improperly installed equipment can result in property damage, personal injury, death, and/or liability to the installing contractor. The speaker system must be mounted in accordance with all local, state, and federal codes and regulations and the installation must conform to industry standard practices. It is the responsibility of the installer to furnish all installation hardware, rigging hardware, and safety or restraint cables to be used. Before installation, it is the responsibility of the installer to consult a licensed mechanical or structural engineer to evaluate and certify the structural integrity and safety of any mounting method and the suitability of that method to be used to mount the loudspeaker to the building structure in this particular installation. Lowell Manufacturing is not responsible for the use, misuse, misapplication, or unsafe installation of this loudspeaker product.*

