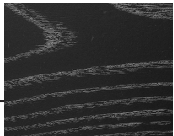


wood composite with black woodgrain laminate finish, ships unassembled  
21U x 18"D x 20"W



*Ships unassembled*



*Premium Cathedral Black woodgrain laminate finish*



### features.

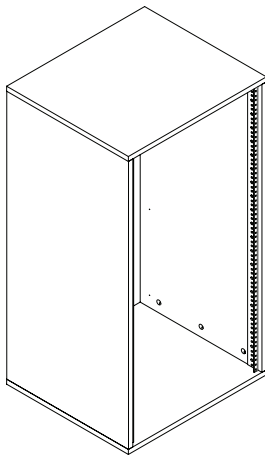
- **Panel Space:** 21U or 36.75" [933]
- **Overall Height:** 38.15" [969]
- **Overall Depth:** 18.00" [457]
- **Usable Depth:** 17.50" [445]
- **Overall Width:** 20.41" [518]
- **Description:** Sturdy wood composite rack with Cathedral Black woodgrain laminate finish is ideal for mounting 19" electronics in venues requiring a premium, furniture grade appearance, such as a home office or entertainment area.
- **Construction:** Sturdy 5/8" wood composite with Cathedral black woodgrain laminate finish. Ships unassembled.
- **Mounting Rails (fixed position):** 1 pair 11-gauge steel mounting rails, tapped 10-32, with printed rack unit increments.
- **Hardware:** Cams and dowels with black covers.
- **Installation:** Ships unassembled. Easy assembly with cams and dowels that install from the inside. Black caps conceal hardware for a finished look. Requires Philips-head screwdriver for assembly (not included).
- **Compliance:** EIA/TIA compliant.
- **Load Capacity:** 200 lbs.
- **Origin:** Made in the U.S.A.
- **Optional:**
  - Rear mounting rails, 1 pr. (#LLR-RRT-21)

### a&e specifications.

The laminated rack shall be Lowell #LLR-2118-B with overall dimensions of 20.41"W x 18.00"D x 38.15"H, providing 21U panel space. The rack shall be constructed of 5/8" wood composite with Cathedral Black woodgrain laminate finish. It shall include one pair of 11-gauge steel, fixed-position mounting rails tapped 10-32, with printed RU increment scale. The rack shall ship unassembled. It shall include cam and dowel assembly hardware and black caps for a "hardware free" appearance.

#### Optional

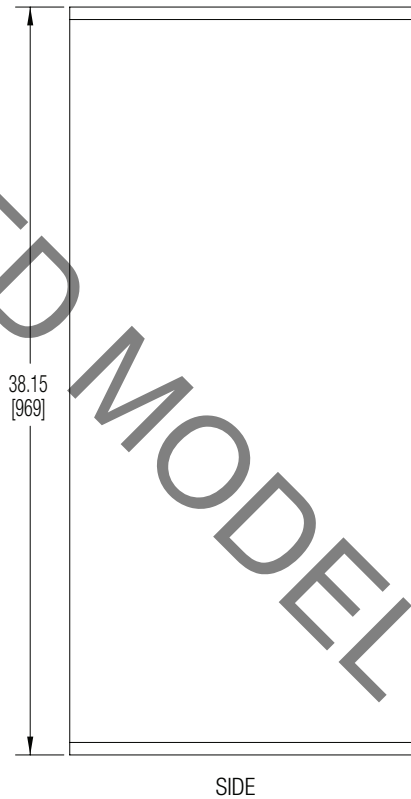
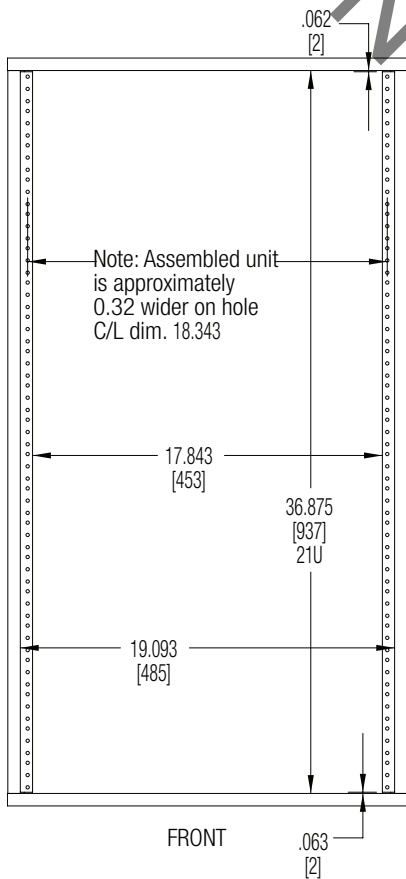
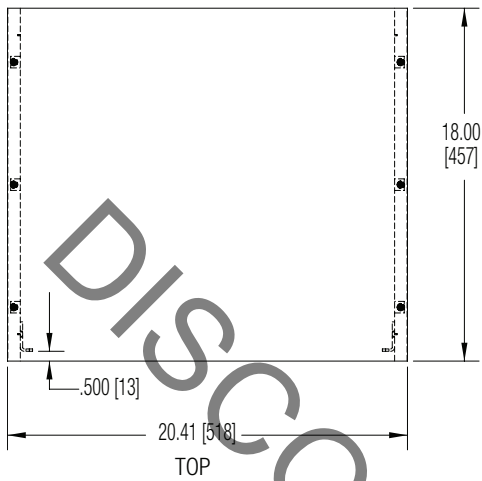
- The rack shall include a pair of rear mounting rails, Lowell #LLR-RRT-21.



### LLR series summary

Model No.	Rack Units	Overall Depth	Usable Depth	Overall Height	Usable Height	Overall Width	Load Capacity	Fixed Rails
LLR-1018-B	10 U	18.00 [457]	17.50 [445]	18.90 [480]	17.50 [445]	20.41 [518]	200 lbs	1 pr
LLR-1218-B	12 U	18.00 [457]	17.50 [445]	22.40 [569]	21.00 [533]	20.41 [518]	200 lbs	1 pr
LLR-1618-B	16 U	18.00 [457]	17.50 [445]	29.40 [747]	28.00 [711]	20.41 [518]	200 lbs	1 pr
<b>LLR-2118-B</b>	<b>21 U</b>	<b>18.00 [457]</b>	<b>17.50 [445]</b>	<b>38.15 [969]</b>	<b>36.75 [933]</b>	<b>20.41 [518]</b>	<b>200 lbs</b>	<b>1 pr</b>

*Rack dimensions (rounded) – inches and [mm]; 1U = 1.75"*



DISCONTINUED MODEL