

LDSR-718

Desktop Rack with Sloped Front



Overall Width:	21.10 inches [536 mm]
Panel Space:	7U or 12.25 inches [311 mm]
Overall Height:	14.21 inches [361 mm] plus 0.5 in. for rubber feet
Depth at Top:	14.98 inches [380 mm]
Depth at Base:	18.00 inches [457 mm]
Finish:	Black wrinkle textured powder epoxy finish



THE RACK WITH SLOPED FRONT is ideal for small systems (desktop or under desk applications). The sloped front allows easy viewing of mounted equipment from a seated position. Rubber feet are included to protect the desk or counter surface. An optional runner kit is available to protect surfaces in slide-in applications.

FEATURES

CONSTRUCTION: Fully welded 16-gauge certified U.S. steel construction. The rack features a 12 degree slope in the front, for easy viewing of equipment while in a seated position. Black wrinkle textured powder epoxy finish.

OPEN FRONT: This rack has an open front and will not accept a door, so protruding knobs or patch panels pose no clearance problems.

OPEN BACK: Fully open back for cable entry.

OPEN BASE: Full opening in base. The rack includes rubber feet to help protect desk or counter surface. Feet add 1/2 inch to overall rack height.

SOLID TOP: Welded steel top.

SOLID SIDES: Welded steel side panels.

MOUNTING RAILS (FIXED POSITION): Includes one pair of 11-gauge steel 10-32 threaded rails on E.I.A. spacing. Numbered rack unit increments simplify mounting equipment evenly. Rails are recessed 0.56 inches from frame.

CABLE MANAGEMENT: Fully open back allows easy access to wires and cables.

HARDWARE: Pilot point screws with captive washers.

COMPLIANCE:

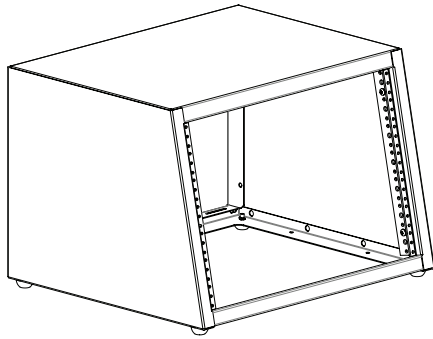
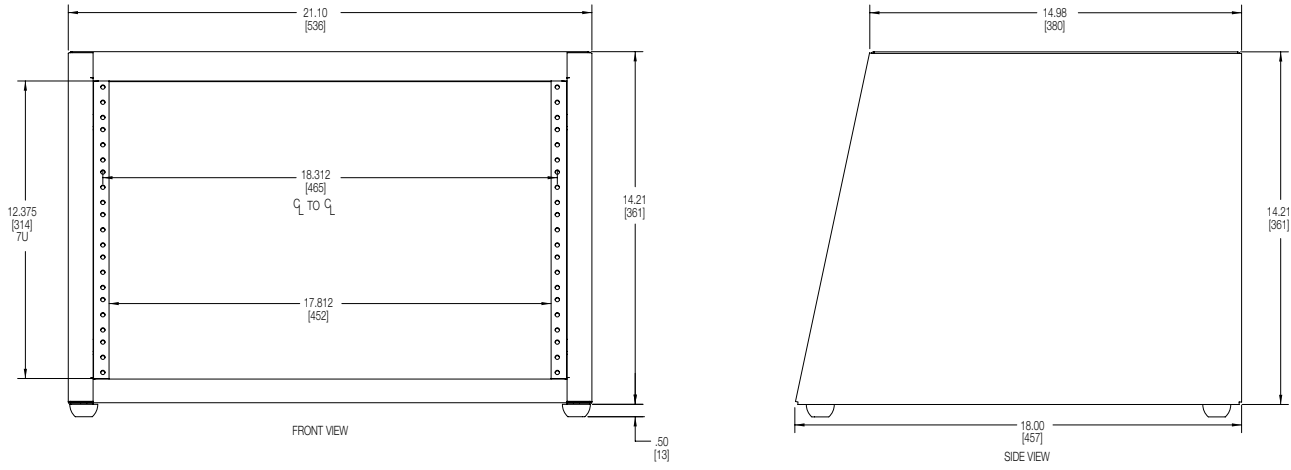
- EIA/TIA compliant
- Made in U.S.A.
- Certified U.S. steel

OPTIONAL ACCESSORIES

- **Model RRTF-7 Rack Rails:** One pair of mounting rails for rear of rack. 7U.
- **Model LDTR-RAC7 Rear Access Cover:** The rear access cover for a 7U rack opens from the top.
Note: This cover cannot be used if rear rails are added to the rack.
- **Model PRK Protective Runner Kit:** The kit consists of four plastic strips that are used to protect the surface of a desk or counter from the metal rack, especially when placed in a slide-in application.

TECHNICAL DRAWINGS

Dimensions: inches unless stated otherwise.



A&E SPECIFICATIONS

The rack for desktop or counter use shall be Lowell Model LDSR-718, which shall be made in the U.S.A. of 16-gauge certified U.S. steel with overall dimensions of 21.10"W x 18.00"D (at base) x 14.21"H. The rack shall provide 7 rack units of panel space on a 12 degree slope for easier viewing of mounted equipment from a seated position. The front, rear, and base of the rack shall be open, while the top and sides shall be welded steel with black wrinkle textured powder epoxy finish. The rack shall include one pair of fixed position mounting rails tapped 10-32. A set of rubber feet shall be included to help protect surfaces. The feet shall increase overall rack height 0.5 inches.

LDSR MODEL SUMMARY

Model No.	Rack Units	Overall Depth (at base) inches [mm]	Overall Depth (at top) inches [mm]	Overall Height* (without rubber feet) inches [mm]	Usable Height inches [mm]	Overall Width inches [mm]	Fixed Rails	Special Feature
LDSR-718	7 U	18.00 [457]	14.98 [380]	14.21 [361]	12.25 [311]	21.10 [536]	1 pr.	Rubber Feet
LDSR-1018	10 U	18.00 [457]	13.89 [353]	19.35 [491]	17.50 [445]	21.10 [536]	1 pr.	Rubber Feet
LDSR-1218	12 U	18.00 [457]	13.16 [334]	22.77 [578]	21.00 [533]	21.10 [536]	1 pr.	Rubber Feet