

INSTALLING BRACKETS:

REMOVE (8) 10-32 X 1/2" FLAT HEAD SCREWS FROM THE CORNERS OF THE RACK AS NOTED.

POSITION THE DOOR BRACKETS OVER THE THREADED HOLES.

ATTACH BRACKETS USING THE SAME SCREWS.

DECIDE HOW THE LOCK BRACKET IS MOUNTED FOR LEFT OR RIGHT SWING. PLACE IN THE CENTER OF THE RACK ON THE OUTSIDE OF THE MOUNTING RAIL. ATTACH USING (2) 10-32 X 5/8" TRUSS HEAD SCREWS AND KEPS NUT.

ATTACHING DOOR:

POSITION DOOR AS SHOWN (BOTTOM OF DOOR)

PLACE BLACK SPACER BETWEEN DOOR & BRACKET AS SHOWN.

ALIGN SPACER WITH HOLE IN BRACKET & THE DOOR.

INSTALL A 10-32 X 1" FLAT HEAD SCREW & THREAD INTO THE DOOR.

SECURE THE DOOR BUT DO NOT OVER TIGHTEN THE SCREW.

(TOP OF DOOR)

REPEAT SAME STEPS FOR TOP OF DOOR. HOWEVER, BLACK SPACER IS OPTIONAL.

NOTE:

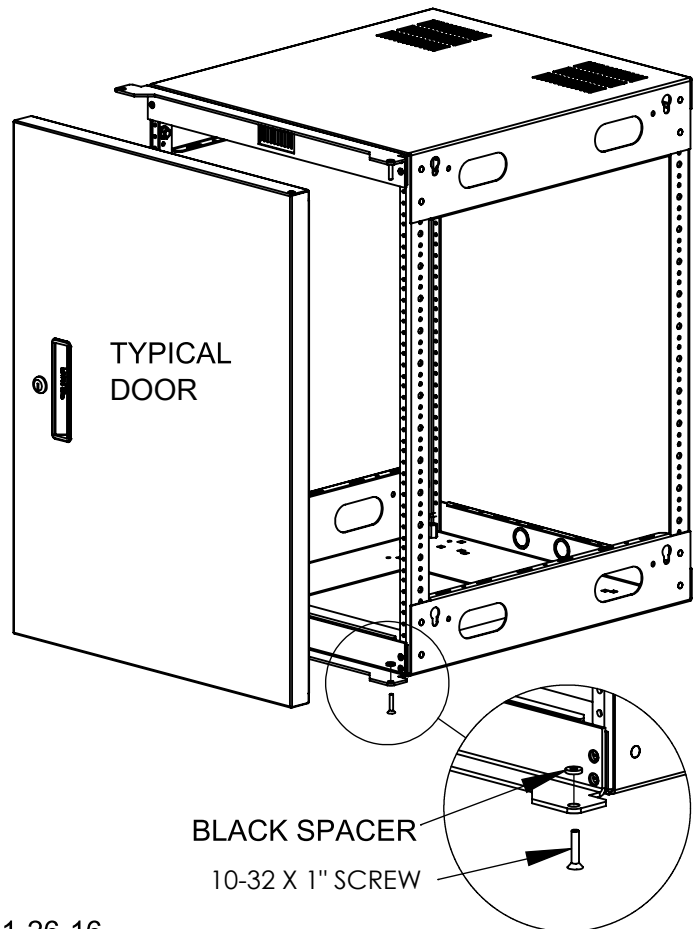
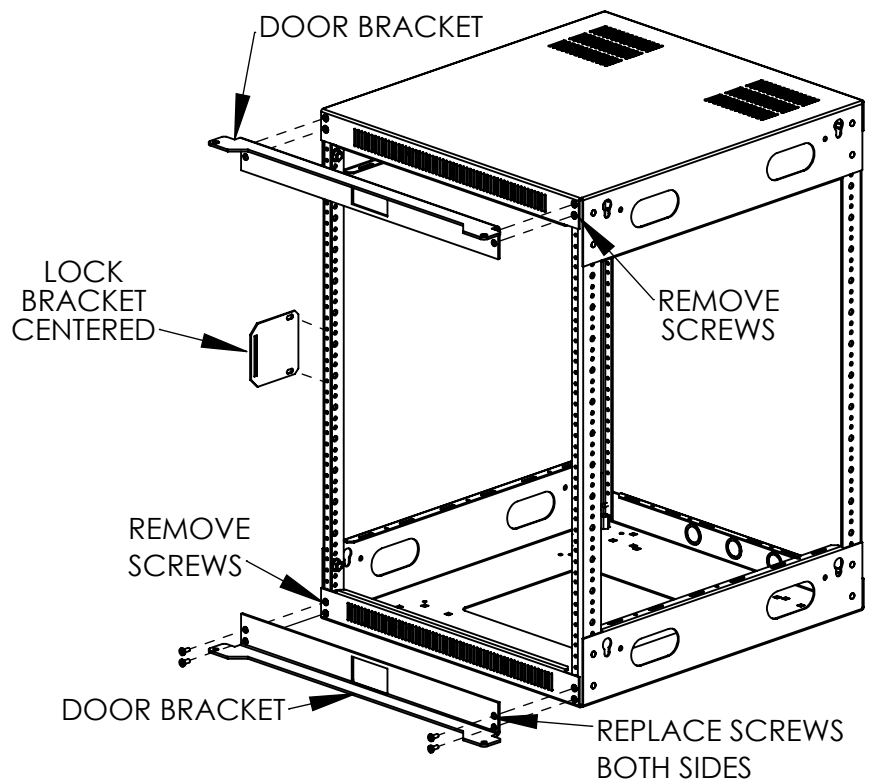
LOCK BRACKET WILL REQUIRE ADJUSTMENTS TO SECURE THE DOOR.

RUBBER BUMPERS INSTALL IN HOLES ON REAR FLANGE OF DOOR AT TOP & BOTTOM.

HARDWARE BAG ITEMS:

- (1) LOCK BRACKET
- (2) KEYS (B399A)
- (2) RUBBER BUMPERS
- (2) BLACK NYLON SPACER
- (2) 10-32 X 1" FHMS (BO)
- (2) 10-32 X 5/8" THMS
- (2) 10-32 KEPS NUT

RIGHT HAND SWING SHOWN



P/N 16635 REV B 1-26-16