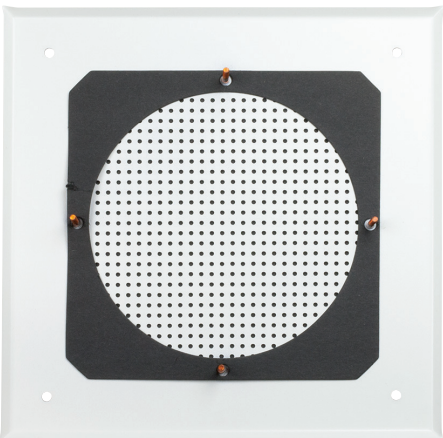




Front



Rear



Square steel grille, for use with 8" EIA speakers, features a square perforation pattern, beveled edges, and white powder epoxy finish.

FEATURES:

- **Construction:** The grille is precision formed from a single piece of 22-gauge steel and includes an open paper gasket. It features welded studs and hex nuts for concealed mounting of an 8" speaker. White powder epoxy finish.
- **Overall Dimensions:** 11.438" square
- **Mounting Projection:** 0.125"
- **Mounting Bolt Square:** 9.062" square
- **Speaker Stud Circle:** 7.625" diameter
- **Country of Origin:** Made in USA with certified US steel
- **Hardware (included):**
 - (4) 8-32 x 3/4" welded studs with nuts for concealed mounting of speaker.
 - (4) 8-32 x 2" white screws to mount to an enclosure.
 - (4) 8-32 x 3/4" white screws to mount to an enclosure.
- **A&E Specifications:** The grille for the 8" EIA speaker shall be Lowell model SG-8, which shall be formed from a single piece of 22-gauge steel. It shall feature beveled edges, a square punched center, and white powder epoxy finish. The grille shall be 11.438" square with a mounting projection of 0.125". It shall include a paper gasket and 8-32 x 3/4" welded studs with hex nuts to mount the speaker. The grille shall also have four 0.218" holes on 9.062" centers and include white screws to mount an enclosure. Speaker and enclosure shall be ordered separately.

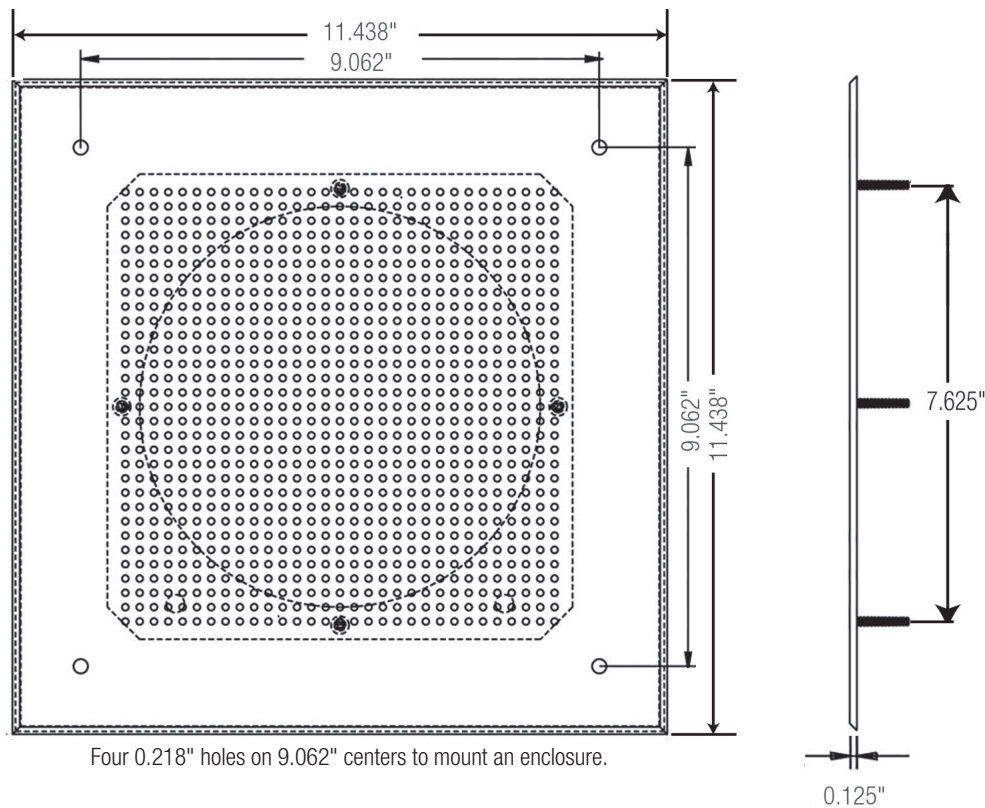
COMPATIBLE COMPONENTS (order separately):

Note: Grilles are designed to work with speakers, enclosures, and mounting accessories listed on this specification sheet. Using the grille to install speakers without a metal enclosure may not meet the requirements of all local and national electrical and building codes. The installer should request approval of the installation method from the Authority Having Jurisdiction (AHJ) before installing the speaker system.

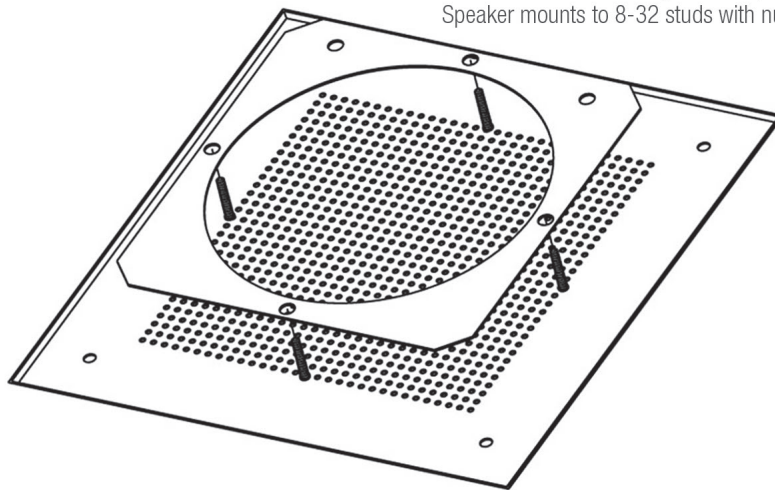
Application	Speaker	Enclosure	Mounting Aids
SURFACE-mount	8" EIA	CB84-SG, CB84-SGA	Mounting screws (furnished by contractor)
RECESSED in Tile Ceiling	8" EIA	P68X, P68XA (4"D) P68X-6, P68XA-6 (6"D)	SS24, SS30, or SS48 tile support rails or contractor's custom hardware
RECESSED Before Drywall Installed	8" EIA	P68X, P68XA (4"D) P68X-6, P68XA-6 (6"D)	SS24, SS30, or SS48 mounting rails (to span ceiling structural members) or contractor's custom hardware
RECESSED Retrofit in Existing Drywall	8" EIA	P68XA (4"D) P68XA-6 (6"D)	SS9 retrofit mounting rails or contractor's custom hardware

Note: Robust coaxial speakers, such as Lowell 8A50 or 8P100, require a large volume enclosure (greater than 4"D).





Gasket mounts between grille and speaker.
 Speaker mounts to 8-32 studs with nuts (provided).



WARNING! Speaker installation should only be performed by experienced qualified professionals with knowledge of load-rated hardware and safe installation, mounting, and rigging techniques. Improperly installed equipment can result in property damage, personal injury, death, and/or liability to the installing contractor. The speaker system must be mounted in accordance with all local, state, and federal codes and regulations and the installation must conform to industry standard practices. It is the responsibility of the installer to furnish all installation hardware, rigging hardware, and safety or restraint cables to be used. Before installation, it is the responsibility of the installer to consult a licensed mechanical or structural engineer to evaluate and certify the structural integrity and safety of any mounting method and the suitability of that method to be used to mount the loudspeaker to the building structure in this particular installation. Lowell Manufacturing is not responsible for the use, misuse, misapplication, or unsafe installation of this loudspeaker product.

