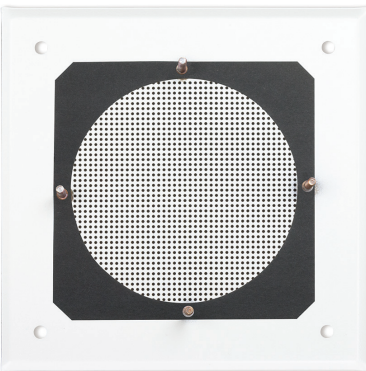




Front



Rear



Steel screw-mount grille is the industry standard when it comes to square ceiling grilles for 4" (EIA 5") loudspeakers. It features a square perforation pattern, beveled edges, and white powder epoxy finish and is suitable for offices, hotels, schools, airports, medical, retail, and commercial facilities.

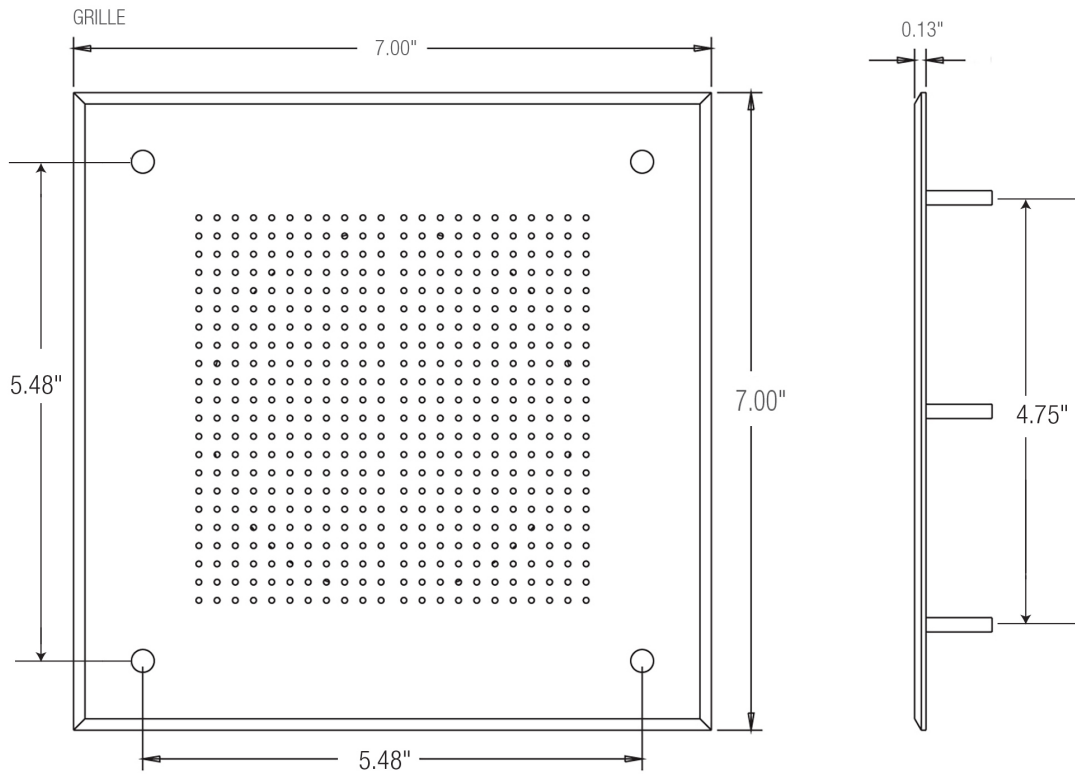
FEATURES:

- **Construction:** The grille is precision formed from a single piece of 22-gauge steel and has a white powder epoxy finish. Includes open paper gasket.
- **Overall Dimensions:** 7.00" square
- **Mounting Projection:** 0.13"
- **Mounting Bolt Square:** 5.48" square
- **Speaker Stud Circle:** 4.75" diameter
- **Country of Origin:** Made in USA with certified US steel
- **Hardware (included):**
 - (4) 8-32 x 3/4" welded studs with nuts for concealed mounting of speaker.
 - (4) 8-32 x 3/4" white screws to mount to an enclosure
 - (4) 8-32 x 2" white screws to mount to an enclosure
- **A&E Specifications:** The grille for the 4" (EIA 5") speaker shall be Lowell model SG-4, which shall be formed from a single piece of 22-gauge steel. It shall feature beveled edges, a square punched center, and white powder epoxy finish. The grille shall be 7" square with a mounting projection of 0.13". It shall include a paper gasket and 8-32 x 3/4" welded studs with nuts to mount the speaker. The grille shall feature four 0.218" holes on 5.48" centers and include white screws to mount an enclosure.

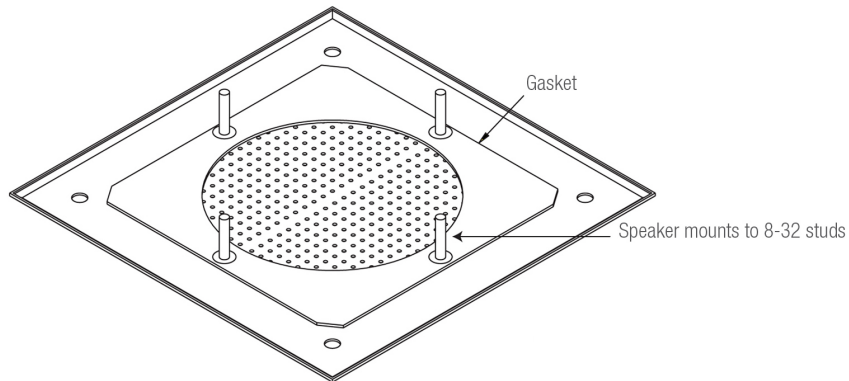
COMPATIBLE COMPONENTS (order separately):

Note: Grilles are designed to work with speakers, enclosures, and mounting accessories listed on this specification sheet. Using the grille to install speakers without a metal enclosure may not meet the requirements of all local and national electrical and building codes. The installer should request approval of the installation method from the Authority Having Jurisdiction (AHJ) before installing the speaker system.

Application	Speaker	Enclosure	Mounting Aids
SURFACE-mount with enclosure	4" (EIA 5")	CB44	-----
RECESSED in Tile Ceiling with enclosure	4" (EIA 5")	P625X	SS Series (rails)
RECESSED Before Drywall Installed with enclosure	4" (EIA 5")	P625X	SS Series (rails)



Four 0.218" holes on 5.48" centers to mount to an enclosure.



WARNING! Speaker installation should only be performed by experienced qualified professionals with knowledge of load-rated hardware and safe installation, mounting, and rigging techniques. Improperly installed equipment can result in property damage, personal injury, death, and/or liability to the installing contractor. The speaker system must be mounted in accordance with all local, state, and federal codes and regulations and the installation must conform to industry standard practices. It is the responsibility of the installer to furnish all installation hardware, rigging hardware, and safety or restraint cables to be used. Before installation, it is the responsibility of the installer to consult a licensed mechanical or structural engineer to evaluate and certify the structural integrity and safety of any mounting method and the suitability of that method to be used to mount the loudspeaker to the building structure in this particular installation. Lowell Manufacturing is not responsible for the use, misuse, misapplication, or unsafe installation of this loudspeaker product.

