



Front



Rear



Screw-mount grille model WB-4 is the industry standard when it comes to steel ceiling grilles for 4" (EIA 5") loudspeakers. The contoured edge and economical cost make it a popular choice for installation in offices, hotels, schools, airports, medical, retail, and similar commercial facilities.

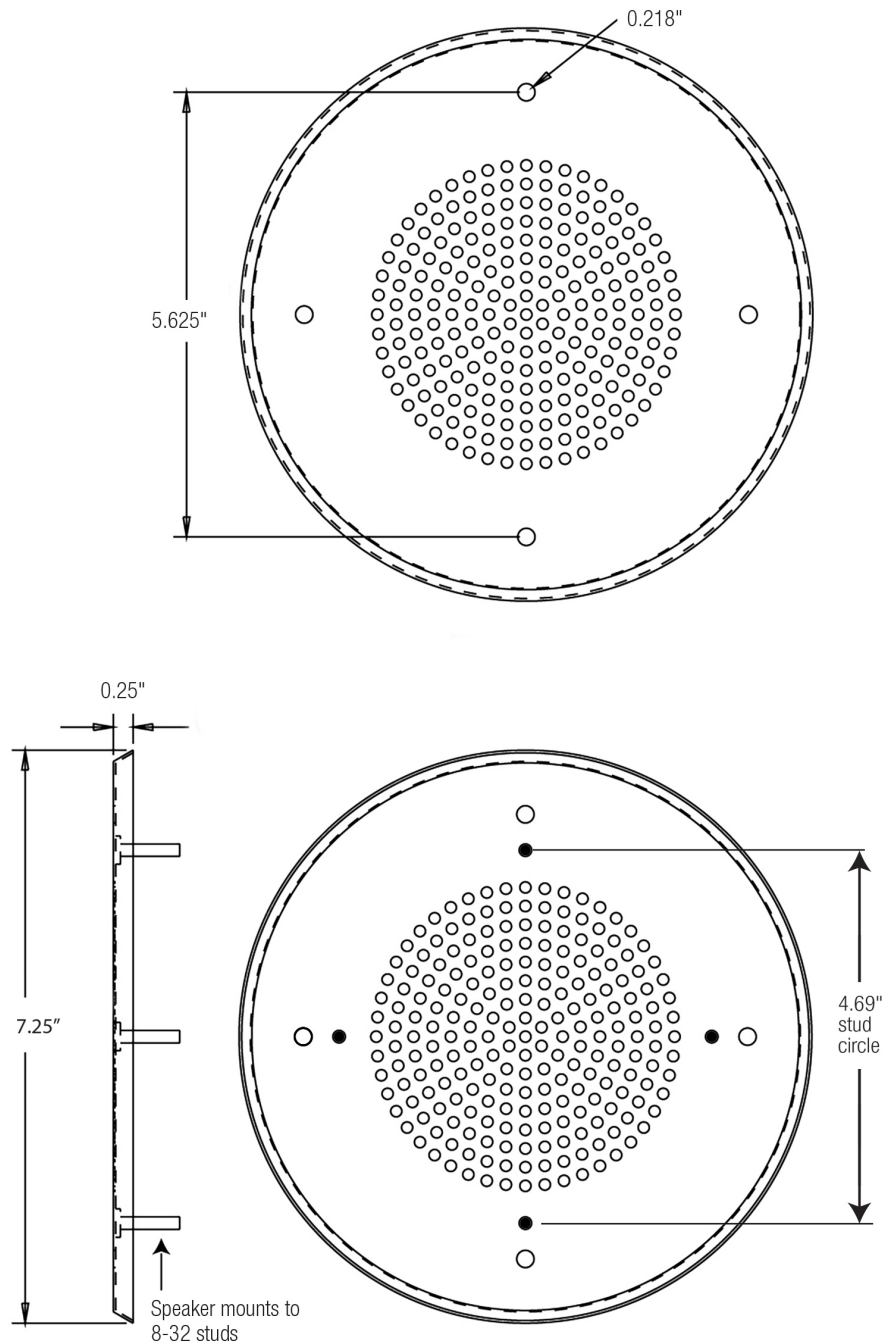
### FEATURES:

- **Construction:** Precision formed single piece of 20-gauge steel with a punched center, contoured edge and white powder epoxy finish.
- **Overall Dimensions:** 7.25" diameter
- **Mounting Projection:** 0.25"
- **Mounting Bolt Circle:** 5.625" diameter (four 0.218" holes spaced at 90 degree intervals)
- **Speaker Stud Circle:** 4.69" diameter
- **Country of Origin:** Made in USA with certified US steel
- **Hardware (included):**
  - (4) 8-32 x 3/4" welded studs with nuts to mount a speaker
  - (4) 8-32 x 1-1/2" screws to mount speaker/grille assembly to an enclosure or mounting ring
- **A&E Specifications:** The grille for 4" speakers shall be Lowell Model WB-4. It shall be fabricated one-piece 20-gauge steel reinforced with a peripheral flange. The grille diameter shall be 7.25" with a shallow mounting projection of 0.25". Model WB-4 shall include welded studs for mounting specified 4" (EIA 5") speaker. The grille shall also have four 0.218" holes spaced at 90 degree intervals on a 5.625" bolt circle plus four 8-32 x 1-1/2" white Phillips-head screws for mounting the speaker/grille assembly to specified backbox or mounting ring. The grille shall have a white powder epoxy finish.

### COMPATIBLE COMPONENTS (order separately):

*Note: Grilles are designed to work with speakers, enclosures, and mounting accessories listed on this specification sheet. Using the grille to install speakers without a metal enclosure may not meet the requirements of all local and national electrical and building codes. The installer should request approval of the installation method from the Authority Having Jurisdiction (AHJ) before installing the speaker system.*

Application	Speaker	Enclosure	Mounting Aids
RECESSED in Tile Ceiling with enclosure	4" (EIA 5")	CP4, DX104	LBS4-DX (t-bridge)
RECESSED in Tile Ceiling without enclosure	4" (EIA 5")	-----	LBS4-R (t-bridge)
RECESSED Before Drywall Installed with enclosure	4" (EIA 5")	CP4, DX104	SS Series (rails)
RECESSED Before Drywall Installed without enclosure	4" (EIA 5")	-----	PR4 (ring), SS Series (rails)



**WARNING!** Speaker installation should only be performed by experienced qualified professionals with knowledge of load-rated hardware and safe installation, mounting, and rigging techniques. Improperly installed equipment can result in property damage, personal injury, death, and/or liability to the installing contractor. The speaker system must be mounted in accordance with all local, state, and federal codes and regulations and the installation must conform to industry standard practices. It is the responsibility of the installer to furnish all installation hardware, rigging hardware, and safety or restraint cables to be used. Before installation, it is the responsibility of the installer to consult a licensed mechanical or structural engineer to evaluate and certify the structural integrity and safety of any mounting method and the suitability of that method to be used to mount the loudspeaker to the building structure in this particular installation. Lowell Manufacturing is not responsible for the use, misuse, misapplication, or unsafe installation of this loudspeaker product.

