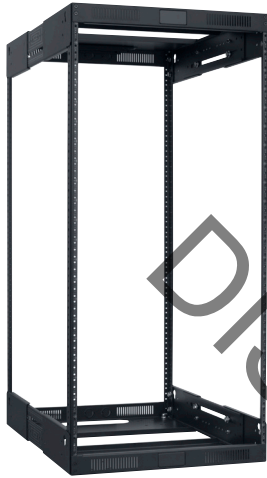


slim 19"W rack w/variable (adjustable) depth, ships unassembled
22U x 21"-28"D x 19"W



Changing project specs are no problem—with the Vari-Rack's adjustable top and base you don't actually set rack depth until assembly. Corner post mounting rails are also ready for last minute changes with printed cut marks to guide in-the-field trim to height.

features.

- **Panel Space:** 22U or 38.50" [978]
- **Overall Height:** 42.34" [1075]
- **Overall Depth:** 21.00"–28.00" [533–711]
- **Overall Width:** 19.21" [586]
- **Description:** Made to fit where a standard rack won't, this innovative slim frame rack allows adjustments for a custom fit on-the-fly with a top and base that can be set to any depth between 21" and 28" and corner post rails with printed cut marks to guide field-trims to height. Ships unassembled.
- **Construction:**
 - **Frame:** 14-gauge certified U.S. steel top and base ship assembled except for depth selection. Smooth black powder epoxy finish.
 - **Rails:** 11-gauge corner post rails tapped 10-32. Bi-directional numbered RU increments allow installation in either direction.
 - **Cable Management:** Top features combination EKO (1/2"–3/4" and 1–1 1/2") for conduit; KO (1/2") for wireless antennae). Base features an obround opening.
 - **Front:** Upper and lower vents. Decorator style cut-outs with covers for optional low-voltage devices.
- **Hardware:** 5/16" hex nuts, 10-32 hex nuts, 10-32 x 1/2" flathead screws.
- **Compliance:** EIA/TIA compliant. RoHS compliant.
- **Load Capacity:** 400 lbs.
- **Optional:**
 - Options for any depth setting:
 - Front door (LXR-FD Series)
 - Rear access cover opens from top (LXR-RAC22)
 - Leg levelers (LL)
 - Protective runner kit for slide-in applications (PRK)
 - Set of 4 swivel casters (LXR-C3S)
 - Set of 4 swivel casters, 2 locking (LXR-C3SL)
 - Set of 4 swivel casters for fine floors (LXR-C3SF)
 - Set of 4 swivel casters for fine floors, 2 locking (LXR-C3SFL)

Note: Additional options (side panels, mobile base, etc.) are available but would require the Vari-Rack to be assembled to a specific depth to fit, in which case the LXR Series, also a slim 19"W rack, would be a more economical choice. See LXR Series spec sheets for the complete list of options.

a&e specifications.

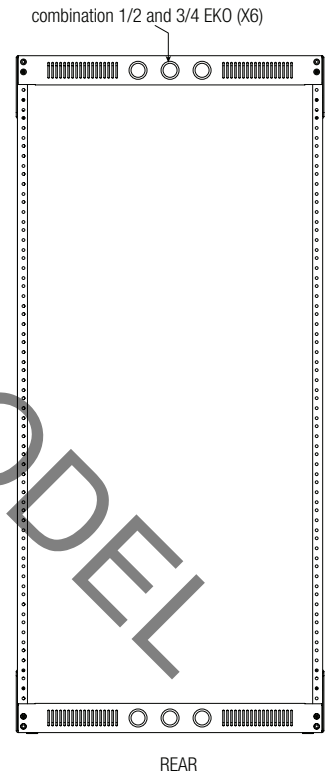
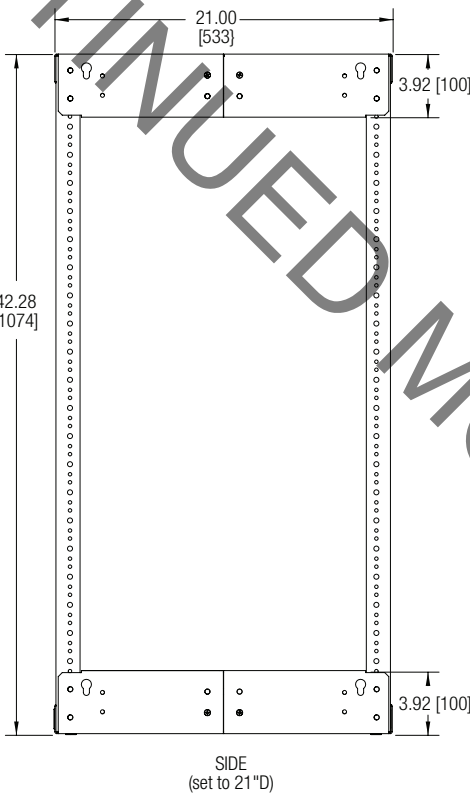
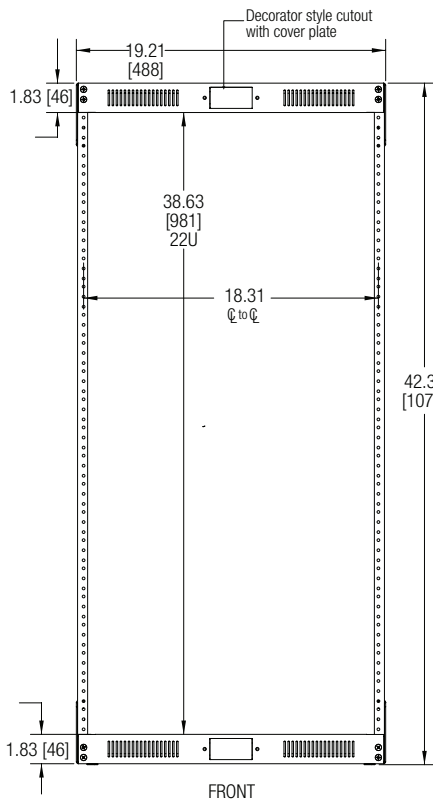
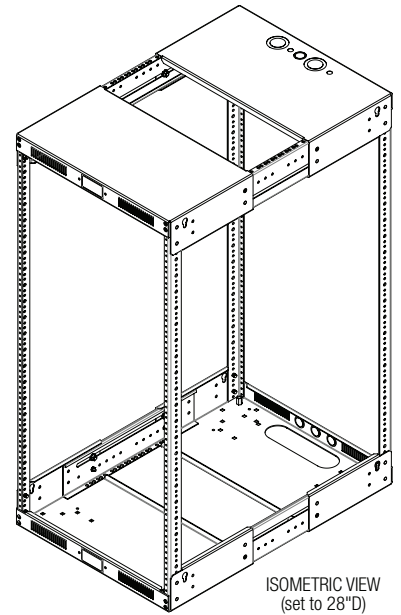
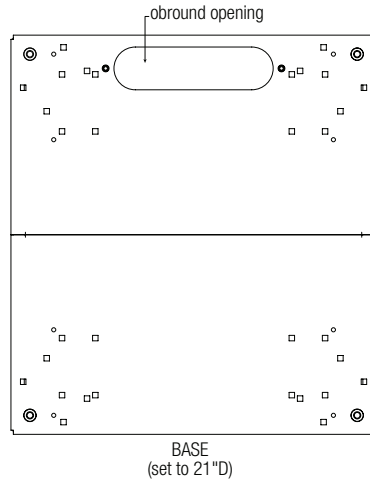
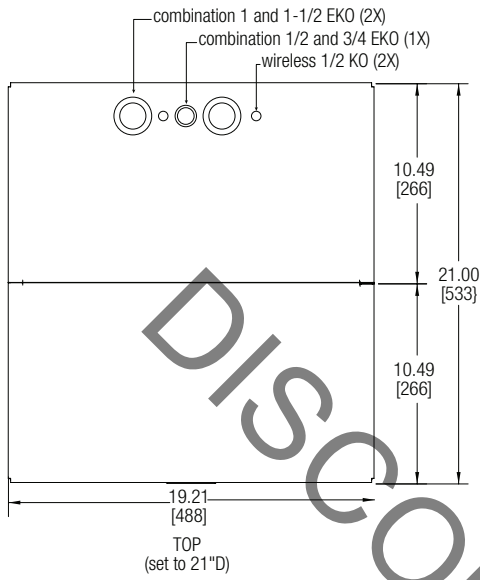
The EIA/TIA compliant 19" knockdown equipment rack shall be Lowell LVR22-2128, which shall provide 22 rack units of panel space in overall dimensions of 19"W x 42.34"H x 21"–28"D. The rack shall ship unassembled except for the base and top which shall be assembled except for depth selection, to be set during assembly. Rack construction shall be certified U.S. steel—14-gauge top and base with 11-gauge corner post rails tapped 10-32—with smooth black powder epoxy finish. The top shall feature combination knock-outs while the bottom shall feature an obround opening for cable management. The rack shall be manufactured in the U.S.A. with a load capacity of 400 lbs.

LVR series summary

Model No.	Rack Units	Overall Depth	Overall Height	Usable Height	Overall Width	Corner Post Rails	Load Capacity (lbs)	Side Brackets
LVR8-1421	8 U	14.00–21.00 [356–533]	17.84 [453]	14.00 [356]	19.21 [488]	4	400	----
LVR14-1421	14 U	14.00–21.00 [356–533]	28.34 [720]	24.50 [622]	19.21 [488]	4	400	----
LVR22-1421	22 U	14.00–21.00 [356–533]	42.34 [1075]	38.50 [978]	19.21 [488]	4	400	----
LVR30-1421	30 U	14.00–21.00 [356–533]	56.34 [1431]	52.50 [1334]	19.21 [488]	4	400	2
LVR38-1421	38 U	14.00–21.00 [356–533]	70.34 [1787]	66.50 [1689]	19.21 [488]	4	400	2
LVR44-1421	44 U	14.00–21.00 [356–533]	80.84 [2053]	77.00 [1956]	19.21 [488]	4	400	2
LVR8-2128	8 U	21.00–28.00 [533–711]	17.84 [453]	14.00 [356]	19.21 [488]	4	400	----
LVR14-2128	14 U	21.00–28.00 [533–711]	28.34 [720]	24.50 [622]	19.21 [488]	4	400	----
▶ LVR22-2128	22 U	21.00–28.00 [533–711]	42.34 [1075]	38.50 [978]	19.21 [488]	4	400	----
LVR30-2128	30 U	21.00–28.00 [533–711]	56.34 [1431]	52.50 [1334]	19.21 [488]	4	400	2
LVR38-2128	38 U	21.00–28.00 [533–711]	70.34 [1787]	66.50 [1689]	19.21 [488]	4	400	2
LVR44-2128	44 U	21.00–28.00 [533–711]	80.84 [2053]	77.00 [1956]	19.21 [488]	4	400	2

Rack dimensions (rounded) – inches and [mm]
1U = 1.75"





DISCONTINUED MODEL