

Model No.

# 10015LVC-RM

Volume Control



## INCLUDES:

- 100W mono autoformer attenuator
- Adhesive label with printed dial scale
- Rotary knob

---

100W ATTENUATOR allows precise level adjustment of single or multiple speaker lines. This unit includes an adhesive label with printed dial scale and a black rotary knob.

---

## FEATURES

**DESCRIPTION:** Mono autoformer attenuator style volume control for use with 25V/70V speaker line

**POWER RATING:** 100W

**PRECISE ATTENUATION:** 1.5dB per step (13.5dB total)

**TERMINATION:** Phoenix-style plug-in screw termination strips for pre-wire convenience

**WIRE CAPACITY:** Up to 14-gauge

**SWITCH TYPE:** Black rotary knob

**SWITCH POSITIONS:** Off-10

**ADHESIVE LABEL:** Black label with white printed dial scale and plastic window to insert a paper label.

**INSTALLATION:** Typically mounted to a rack panel or another custom application.

### COMPLIANCE & CERTIFICATIONS:

- ETL Listed. Conforms to UL 60065 / UL 2043. Certified to CSA 22.2 #60065.
- Made in USA with US and global components

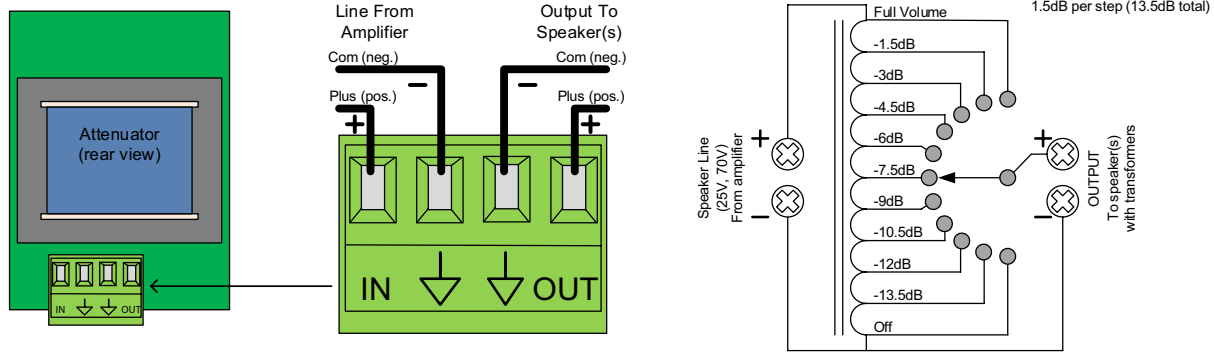
## A&E SPECIFICATIONS

The mono autoformer attenuator volume control shall be Lowell model 10015LVC-RM, which shall have a 100W power rating and 1.5dB per step attenuation (13.5dB total). It shall feature phoenix-style plug-in screw termination strips for pre-wire and up to 14 gauge wire capacity. The volume control shall include a rotary knob and an adhesive label with printed dial scale. Switch positions shall be Off-10. It shall be Made in USA with US and global components. The control shall be ETL Listed and Trade Agreement Act (TAA) compliant.

## OPTIONS

**LVC8P-ID-2:** 19-inch x 2U rack panel with rear lacing flange and pocket window for a paper label can hold multiple volume controls.

## TECHNICAL DRAWINGS



## OVERVIEW: MONO ATTENUATORS

Model No.	Power Rating	Attenuation Steps/Total *	VC Type	Priority Relay	Mount Type **	Plate Size	Color	Switch	Listing	For Use With speaker line	TAA Compliant
10LVC	10 W	3dB/33dB	autoformer	---	standard wall plate	1-gang	ss	knob	----	25V/70V	no
25LVC	25 W	3dB/33dB	autoformer	---	standard wall plate	1-gang	ss	knob	ETL	25V/70V	yes
25LVC-SW	25 W	3dB/33dB	autoformer	---	standard wall plate	1-gang	white	knob	ETL	25V/70V	yes
25LVC-DB	25 W	3dB/33dB	autoformer	---	decorator wall plate	1-gang	black	knob	ETL	25V/70V	yes
25LVC-DW	25 W	3dB/33dB	autoformer	---	decorator wall plate	1-gang	white	knob	ETL	25V/70V	yes
25LVC-RM	25 W	3dB/33dB	autoformer	---	adhesive label	---	black	knob	ETL	25V/70V	yes
50LVC	50 W	3dB/33dB	autoformer	---	standard wall plate	1-gang	ss	knob	ETL	25V/70V	yes
50LVC-DB	50 W	3dB/33dB	autoformer	---	decorator wall plate	1-gang	black	knob	ETL	25V/70V	yes
50LVC-DW	50 W	3dB/33dB	autoformer	---	decorator wall plate	1-gang	white	knob	ETL	25V/70V	yes
50LVC-RM	50 W	3dB/33dB	autoformer	---	adhesive label	---	black	knob	ETL	25V/70V	yes
100LVC	100 W	3dB/33dB	autoformer	---	standard wall plate	1-gang	ss	knob	ETL	25V/70V	yes
100LVC-DB	100 W	3dB/33dB	autoformer	---	decorator wall plate	1-gang	black	knob	ETL	25V/70V	yes
100LVC-DW	100 W	3dB/33dB	autoformer	---	decorator wall plate	1-gang	white	knob	ETL	25V/70V	yes
100LVC-DSB	100 W	3dB/33dB	autoformer	---	decorator wall plate	1-gang	ss / black	knob	ETL	25V/70V	yes
100LVC-RM	100 W	3dB/33dB	autoformer	---	adhesive label	---	black	knob	ETL	25V/70V	yes
10015LVC	100 W	1.5dB/13.5dB	autoformer	---	standard wall plate	1-gang	ss	knob	ETL	25V/70V	yes
10015LVC-DB	100 W	1.5dB/13.5dB	autoformer	---	decorator wall plate	1-gang	black	knob	ETL	25V/70V	yes
10015LVC-DW	100 W	1.5dB/13.5dB	autoformer	---	decorator wall plate	1-gang	white	knob	ETL	25V/70V	yes
10015LVC-RM	100 W	1.5dB/13.5dB	autoformer	---	adhesive label	---	black	knob	ETL	25V/70V	yes
100LVC-PA	100 W	3dB/33dB	autoformer	yes	standard wall plate	1-gang	ss	knob	ETL	25V/70V	yes
100LVC-PA-DB	100 W	3dB/33dB	autoformer	yes	decorator wall plate	1-gang	black	knob	ETL	25V/70V	yes
100LVC-PA-DW	100 W	3dB/33dB	autoformer	yes	decorator wall plate	1-gang	white	knob	ETL	25V/70V	yes
100LVC-PA-RM	100 W	3dB/33dB	autoformer	yes	adhesive label	---	black	knob	ETL	25V/70V	yes
KL100-DW	100 W	3dB/33dB	autoformer	---	decorator wall plate	1-gang	white	key	ETL	25V/70V	yes
KL100-DSB	100 W	3dB/33dB	autoformer	---	decorator wall plate	1-gang	ss / black	key	ETL	25V/70V	yes
200LVC	200 W	3dB/33dB	autoformer	---	standard wall plate	2-gang	ss	knob	ETL	70V	yes
200LVC-DSB	200 W	3dB/33dB	autoformer	---	decorator wall plate	2-gang	ss / black	knob	ETL	70V	yes
200LVC-RM	200 W	3dB/33dB	autoformer	---	adhesive label	---	black	knob	ETL	70V	yes
200LVC-RMDB	200 W	3dB/33dB	autoformer	---	subplate	---	black	knob	ETL	70V	yes
KL100-PA-DSB	100 W	3dB/33dB	autoformer	yes	decorator wall plate	1-gang	ss / black	key	ETL	70V	yes
KL100-PA-DSW	100 W	3dB/33dB	autoformer	yes	decorator wall plate	1-gang	ss / white	key	ETL	70V	yes
KL200-DSB	200W	3dB/33dB	autoformer	---	decorator wall plate	2-gang	ss / black	key	ETL	70V	yes
SVC100-PA-DW	100W	3dB/33dB	autoformer	yes	decorator wall plate	1-gang	white	slide-bar	ETL	70V	yes

\* Note: Models with 33dB total have 2 steps of 6dB each before off. Models with 13.5dB total have 2 steps with 3dB each before off.

\*\* Adhesive labels are used in rackmount panels or custom applications. ss = stainless steel

THIS SPEC