

Mounting ring for recessed installation of a 4" (EIA 5") speaker with Lowell grille WB-4 in a ceiling or wall. This lightweight mounting accessory is an economical alternative to using a recessed backbox where not required by specifications or code.

Note that speaker installation should always be performed according to all local building codes and regulations, many of which require a backbox.

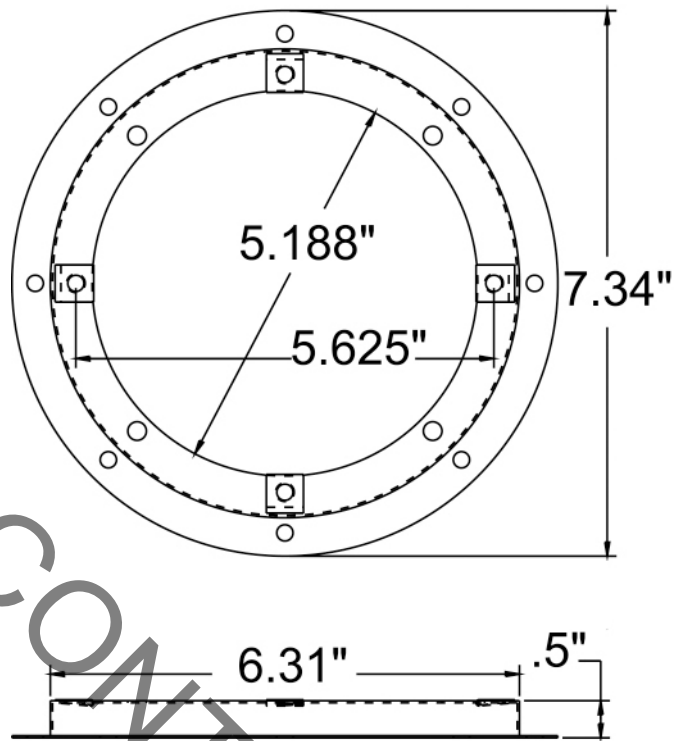
FEATURES:

- **Material:** 22-gauge steel
- **Diameter:** 7.34" dia.
- **Installation:**
 - 0.50" rim extends out from rough-in ceiling or wall for flush drywall or panel finishing.
 - Mounts 4" speaker with screw-mount grille model WB-4 (order separately)
- **Origin:** Made in the U.S.A.
- **A&E Specifications:** The mounting ring for 4" (EIA 5") speaker installation with Lowell grille WB-4 shall be Lowell model PR4. The mounting ring shall be 22-gauge steel construction with black powder epoxy finish. It shall have a diameter of 7.34" and a 0.50" rim. The speaker and grille shall be ordered separately.



Model Summary

Model No.	Description	Material	Color	Diameter	Origin
PR4	Mounting Ring	Steel	Black	7.34"	U.S.A.



DISCONTINUED MODEL

