

A tile-bridge distributes the weight of a speaker assembly to the ceiling support structure in a suspended 2' x 2' or 2' x 4' tile ceiling, reducing the likelihood of tiles sagging under the weight of the speaker, and helping to maintain the overall aesthetics of the installation. Tile-bridges are often required by local building codes for safety purposes. The LBS8 can be used with or without a backbox depending on local building codes and the style and weight of the speaker assembly.

Note that speaker installation should always be performed according to all local building codes and regulations, many of which require a backbox.

FEATURES:

- **Construction:** Formed 24-gauge galvanized steel construction for lightweight, rigid support. The T-bridge features formed ribs for strength and multiple attachment points for versatility.
- **Overall Dimensions:** 23.75" x 15.5" (8.5" square opening)
- **Origin:** Made in the U.S.A.
- **Installation:**
 - **Compatibility:** The tile-bridge mounts a standard 8" speaker assembly with a screw-mount grille with or without a backbox. See page two for a list of compatible components.
 - **Seismic Anchoring:** Wire holes at each corner allow for seismic anchoring where required by code.
 - **Twist 'n Lock Feature:** The unique twist/lock feature provides hardware-free mounting to speed installation of round enclosures (model IX810, 8XD4 Series, XCP8 Series – see page two). Place the specified backbox on the tile-bridge, aligning cutouts on the backbox's lip to tabs on the bridge. Push down and twist until the backbox locks in position.
 - **Standard Installation:** Backboxes can also be mounted to the tile-bridge using four 8-32 bolts (not included).
- **A&E Specifications:** The tile-bridge shall be Lowell model LBS8. It shall be formed 24-gauge galvanized steel measuring 23.75" x 15.5" with an 8.5" square opening in the center. The bridge shall be engineered to distribute the weight of an 8 inch speaker assembly to the ceiling support system in a 2' x 2' or 2' x 4' suspended tile ceiling. The bridge shall include provisions for seismic anchoring.

LBS Series (Tile Bridge) Summary

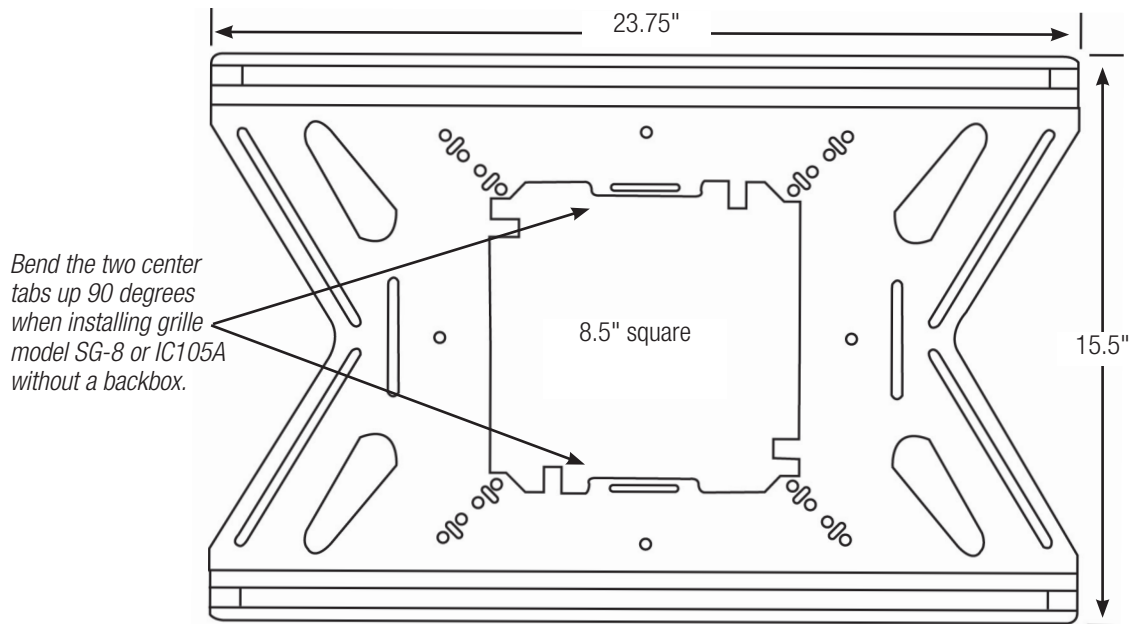
Model No.	For Speaker Size	For Grille Type	Backbox*	Dimensions	Opening	Material
LBS4-DX	4"	screw or torsion	required	23.75" x 12.13"	6.38" diameter	galvanized steel
LBS4-R	4"	screw	infinite baffle only**	23.75" x 12.13"	5.19" diameter	galvanized steel
LBS8	8"	screw	optional	23.75" x 15.50"	8.50" square	galvanized steel
LBS8-CP	8"	screw	required	23.75" x 16.25"	12.00" diameter	galvanized steel
LBS8-R1	8"	screw or torsion	required w/torsion grille	23.75" x 15.50"	10.75" diameter	galvanized steel

This spec

* Check and follow all local building codes for backbox requirements.

** The tile-bridge will not accept a backbox.





COMPATIBLE COMPONENTS: (order separately)

Screw-mount Grille	Backbox	Tile-Bridge*
A8-AW, CS-8H, L08-P, RS8-AW, WB-8	8XD4, 8XD4-P, 8XD4-S, IX810, XCP84, XCP84-S, XCP87, XCP810	LBS8 (Twist 'n Lock or mounting bolts)
A8-AW, CS-8H, L08-P, RS8-AW, WB-8	8PSBX	LBS8 (mounting bolts)
FW-8, JG-8X (square)	P68X, P68X-6, P875X-4, P875X-6	LBS8 (mounting bolts)
SG-8, IC105A ** (square)	None (infinite baffle)	LBS8 (mounting bolts)

* The LBS8 tile-bridge does not include mounting bolts. The installer will need to supply four (4) 8-32 bolts to mount the tile-bridge to any backbox that doesn't feature Twist 'n Lock cutouts.

** When installing grille model SG-8 or IC105A in a tile ceiling with a backbox (P68X or P68X-6), use SS Series rails instead of the tile-bridge. When installing either grille in a tile ceiling without a backbox, you can use the LBS8 bridge if you bend the two center tabs up 90 degrees (see drawing above).

