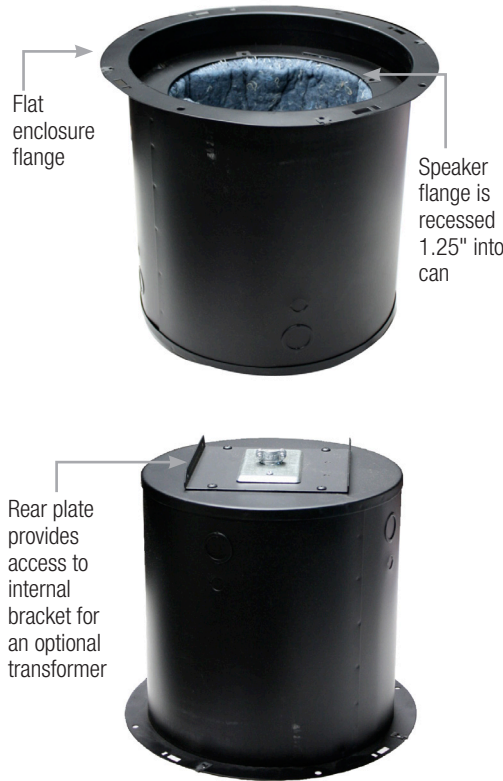


Acoustic enclosure is made to direct-mount a standard 8" EIA speaker, allowing a heavier speaker to be used with a (non-loadbearing) torsion grille. The larger than average volume and acoustic treatment allow an 8" speaker to operate at optimum levels for improved low frequency response.

FEATURES:

- **Construction:** Welded, unitized 22-gauge steel with black powder epoxy finish.
- **Dimensions:**
 - Diameter: 10.06" (can); 11.87" (enclosure flange)
 - Depth: 10.06" (can)
- **Volume:** 0.405 cu.ft.
- **Knockouts:** 1/2" knockouts for wire access and 1/2"-3/4" knockouts for conduit
- **Acoustic Lining:** 1-1/2" thick premium batting to minimize acoustic and mechanical resonance.
- **Mounting Aids:**
 - Speaker flange recessed in can (1.25") allows a speaker to screw-mount directly to it. The flange has receptacles to mount a (non-loadbearing) torsion grille.
 - An optional transformer can be field-mounted to an internal bracket, accessible through a rear-mounted plate (includes separate one-gang wire access panel and metal cable clamp). The plate includes holes for seismic anchoring.
 - Speaker mounting bolt circle 7.75" diameter
- **Country of Origin:** Made in U.S.A.



INSTALLATION: Recessed
FOR SPEAKER SIZE: 8" EIA
FOR GRILLE TYPE: Torsion

A&E SPECIFICATIONS:

The recessed enclosure shall be Lowell model IX810, which shall be 22-gauge steel with black powder epoxy finish, lined with 1-1/2" thick batting to minimize acoustic and mechanical resonance. Can diameter shall be 10.06" and depth shall be 10.06". It shall feature a recessed speaker flange to direct-mount an 8" speaker. The enclosure shall have four 1/2"-3/4" compound knockouts, four 1/2" wire knockouts, and an internal transformer bracket accessible through a rear mounted plate with a separate one-gang wire access panel and metal cable clamp. It shall be made in the U.S.A. with certified U.S. steel.

COMPATIBLE COMPONENTS (order separately):

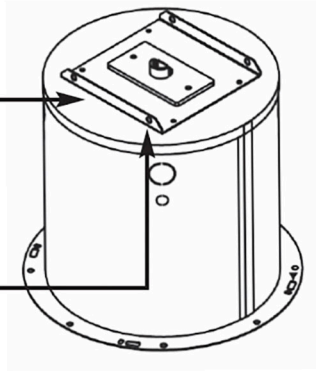
- Speakers: 8" EIA
- Grilles (torsion): CN-8M, WB-8T
- Tile Bridge: LBS8-R1. When installed in a suspended tile ceiling, the use of a tile-bridge is recommended to transfer the weight of speaker assembly to the ceiling grid.

IX810 Series

Model No.	For Speaker Size	Can Diameter	Can Depth	Enclosure Flange	Volume	Material	Lining	Knockouts
▶ IX810	8"	10.06"	10.06"	flat	0.405 cu.ft.	steel	1-1/2" batting	yes
IX810-EL	8"	10.06"	10.06"	extended	0.405 cu.ft.	steel	1-1/2" batting	yes

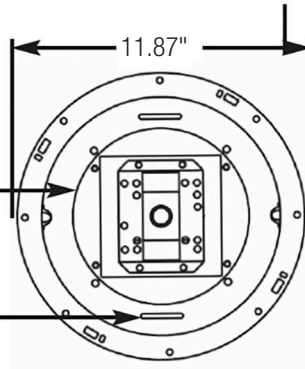
Rear cover plate will support an optional (field-mounted) transformer. The one-gang wire access plate has a metal clamp for wiring.

Holes for seismic anchoring



Recessed speaker flange: 7.28" diameter opening for an 8" speaker

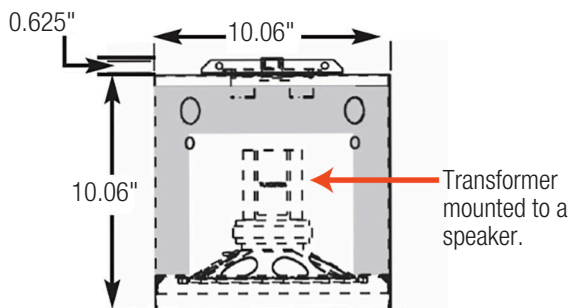
Receptacles for mounting a torsion grille



Speaker mounting bolt circle 7.75" dia.

SIDE VIEWS

An optional field-mounted transformer can be mounted to a speaker or the enclosure.



Transformer mounted to plate in enclosure.

