



MADE IN
U.S.A.



CERTIFIED
U.S. STEEL

INSTALLATION: Surface-mount
FOR SPEAKER SIZE: 8" EIA

Surface-mount steel wall baffle for installation of a single 8" speaker driver features enclosure and grille. Order speaker driver separately.

FEATURES:

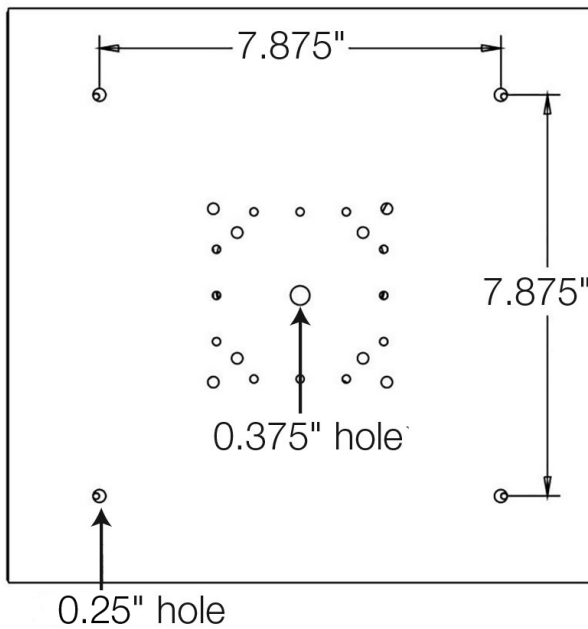
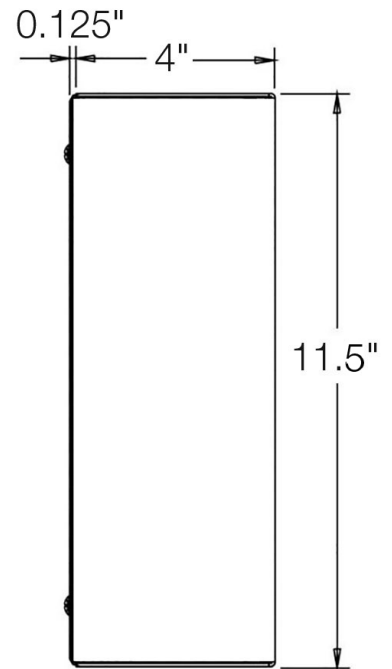
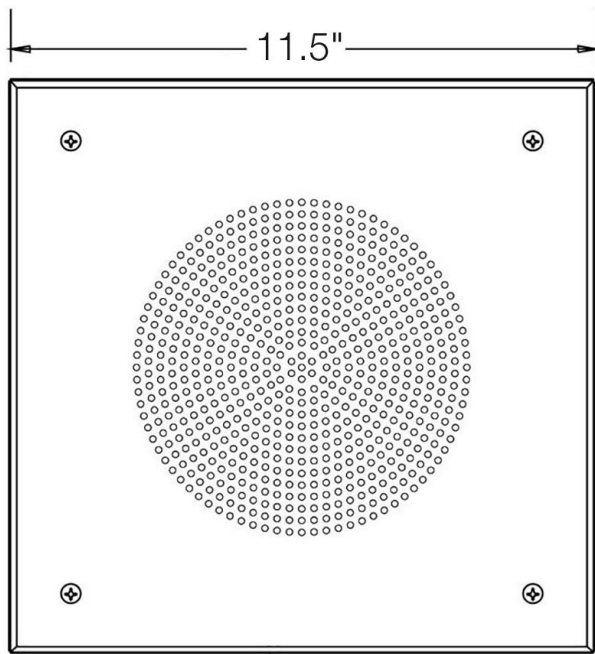
- **Construction:** Steel enclosure with white powder epoxy finish.
- **Grille:** Steel screw-mount grille with beveled edge and circular perforation pattern. White powder epoxy finish.
- **Dimensions:** 11.5"H x 11.5"W
- **Depth:** 4"
- **Volume:** 536 cu.in.
- **Mounting Bolt Circle:** 7.625" diameter
- **Knockouts:** Top/bottom knockouts for 500 Series wiremold
- **Installation:** Universal mounting hole pattern in rear allows easy installation to a 4" square, 4" octagon, 1-gang or 2-gang box.
- **Country of Origin:** Made in the U.S.A. with certified U.S. steel
- **Hardware (included):**
 - (4) 8-32 hex nuts to mount an 8" speaker to studs on the grille.
 - (4) 8-32 x 1.5" Phillips Truss-head screws (white) to mount the grille to an enclosure.
- **A&E Specifications:** The steel baffle with white powder epoxy finish for indoor surface-mount applications shall be Lowell model DSQ-8, which shall measure 11.5"H x 11.5"W x 4"D. The enclosure shall feature wiremold knockouts on top/bottom and a universal mounting hole pattern in the rear. The grille shall feature a circular perforation pattern.

COMPATIBLE COMPONENTS (order separately):

- **Speakers:** Standard 8" EIA speaker

Model Summary

Model No.	For Speaker Size	Grille (included)	Size	Depth	Volume	Material	Color
DSQ-8	8"	Screw-mount	11.5" x 11.5"	4"	536 cu.in.	Steel	White



Measurements are inches unless noted otherwise.

