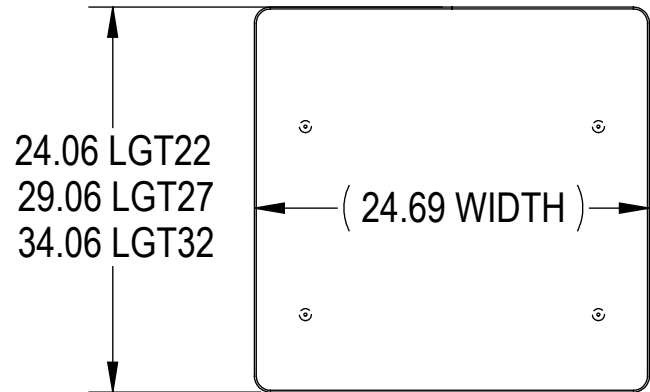
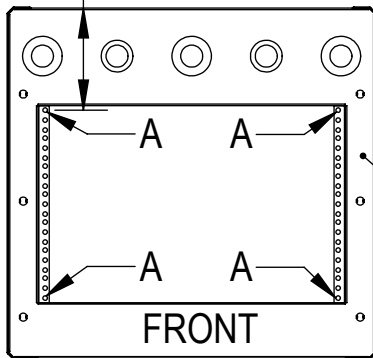


ASSEMBLY INSTRUCTIONS FOR OPTIONAL TOPS

BASIC TOP DIMENSIONS

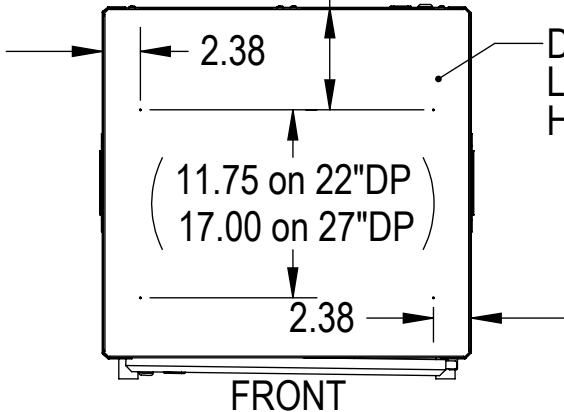


TOP VIEW OF RACK WITH E.I.A. OPENINGS



ATTACH TOP TO (4) HOLES MARKED "A" ON ALL RACK SERIES THAT HAVE A 7U OR 10U OPENING IN THE TOP (LER, LERF, LGR)

TOP VIEW OF RACK WITH SOLID TOP



DRILL (4) .187 DIA. HOLES IN CENTER PUNCH LOCATIONS AS SHOWN ON ALL RACKS THAT HAVE A SOLID TOP (LPR SERIES)

HOW TO SECURE TOP TO RACK

REMOVE (4) SCREWS FROM THE BOTTOM SIDE OF LAMINATE TOP. NOTE THE REAR LABEL THIS END GOES TO REAR OF RACK. ATTACH FROM INSIDE THE RACK WITH SAME (4) SCREWS.

