



INSTALLATION: Surface-mount
FOR SPEAKER SIZE: 4" (EIA 5")
FOR GRILLE TYPE: Screw-mount

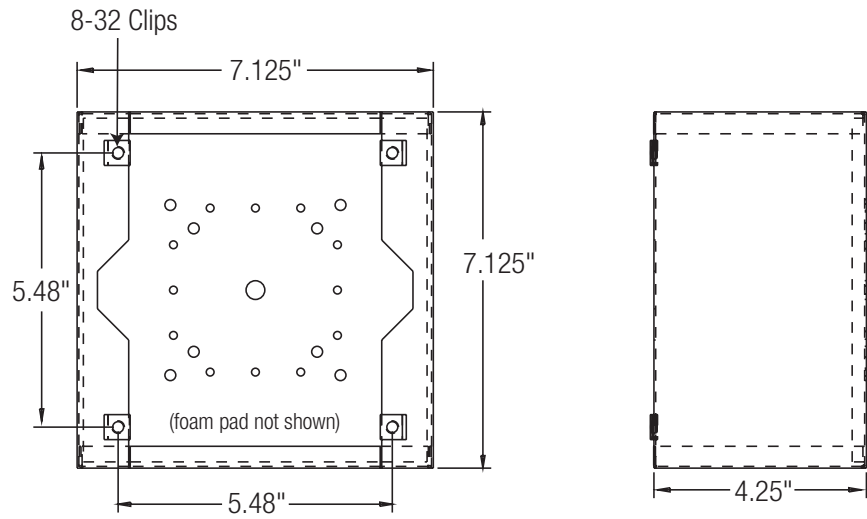
Surface-mount steel enclosure for ceiling or wall installation is designed to mount a screw-mount grille with a standard 4" (EIA 5") speaker. The clean square format is ideal for schools, offices, restaurants, hotels and similar venues.

FEATURES:

- **Construction:** Precision formed 20-gauge certified U.S. steel with white powder epoxy finish. Welded seams.
- **Dimensions:** 7.125" square
- **Depth:** 4.25"D
- **Volume:** 0.125 cu.ft.
- **Installation:**
 - Front formed flanges with U-clips will accept a 7" square screw-mount grille.
 - Universal mounting pattern in rear for installation to 4" square, 4" octagon, 1-gang or 2-gang electrical box (not included).
 - *Note: A speaker would mount to a (screw-mount) grille. The grille would then mount to this enclosure. Order speaker and grille separately.*
- **Knockouts:**
 - Rear hole with grommet (0.375") for wire access
- **Acoustic Treatment:**
 - 1/4" thick foam pad
- **Country of Origin:** Made in U.S.A.
- **A&E Specifications:** The surface-mount enclosure for use with 4" speakers shall be Lowell model CB44, which shall be fabricated U.S. steel with white powder epoxy finish, 7.125" square x 4.25" deep. The enclosure shall feature a rear hole (.375" dia.) with grommet for wire access, and provisions to mount to an electrical box (4" square, 4" octagon, 1-gang or 2-gang – not included). It shall also feature four mounting holes and 8-32 U-clips at flanged corners to accept a screw-mount grille. The unit shall have a 1/4" thick foam pad.

COMPATIBLE COMPONENTS (order separately):

- Speakers: 4" (EIA 5")
- Speaker+Grille Assembly: D6410-72
- Grille (screw-mount): SG-4



Universal hole pattern on rear for
4" square, 4" octagon, 2-gang or
1-gang E.O. box.

