

Model No's.

RY-2, RY-4 DPDT Relay Modules

General purpose relay modules with two or four heavy duty double-pole double-throw relays are used as reliable building blocks in a wide variety of applications.

Features

- 5A contact rating
- Each relay is independent
- Spike suppression and polarity protection diodes
- Enclosed design protects relays and components
- Steel chassis with black semi-gloss finish includes holes for screw-mount installation to wall or shelf.
- Chassis measures 5"L x 1.688"H x (3.28" or 6.25"W)
- Equipment connections are made to externally accessible three-sided barrier strips with wire clamps
- Relay can be field converted to AC operation by installing an electrolytic capacitor (see page 2).

A & E Specifications

The relay module shall be Lowell Model No. _____ to provide _____ (two, four) heavy duty DPDT relays. The relay shall have a contact rating of 5 Amps, 24VDC/240VAC. The relay shall have spike suppression capability, polarity protection diodes and three-sided barrier strip terminals with wire clamps. The module shall be enclosed in a steel chassis measuring 5"L x 1.688"H x (3.28" or 6.25")W. It shall have a black semi-gloss finish and holes for wall or shelf mount.



RY-2



RY-4

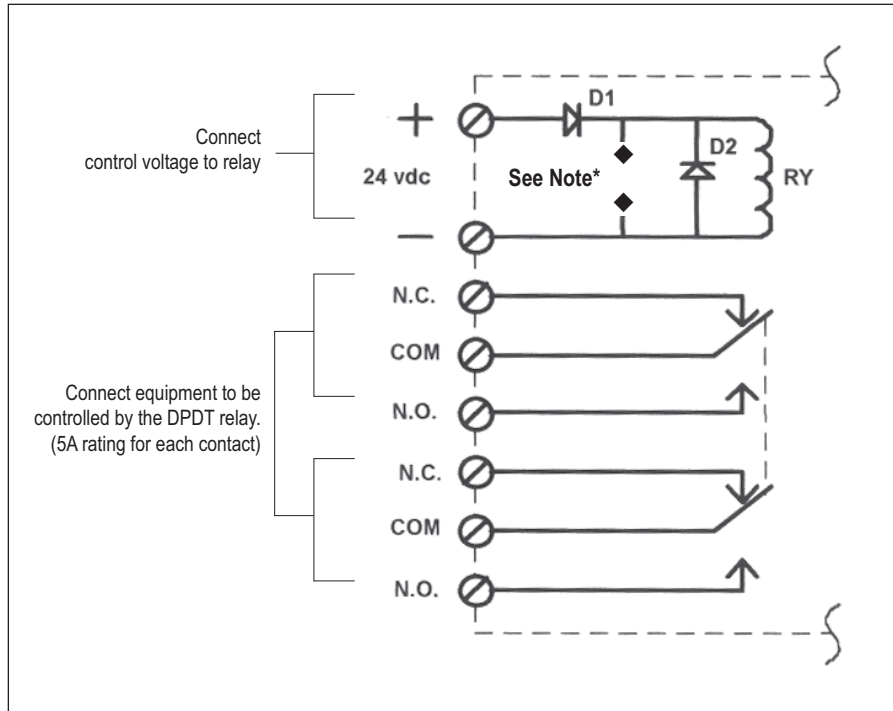
Optional Accessories (order separately)

- **Rackmount Shelf (No. USE-210):** 2U utility shelf with punched holes to mount electronic devices.
- **Power Supply (No. PS1224-2):** DC power supply (2A)
- **Power Supply (No. PS2405):** DC power supply (0.5A)
- **Low Voltage Switch (RPS Series):** Select maintained or momentary closure switch with wall plate or rack-mount panel.

Model Numbers

Model No.	Relay Coil Input	Relay Contact Type	Contact Rating	Dimensions L x W x H (in)	Weight (lbs)
RY-2	24 VDC 22 mA (1100 ohm)	2 DPDT	5 Amps 24VDC / 240VAC	5 x 3.28 x 1.688	.75
RY-4	24 VDC 22 mA (1100 ohm)	4 DPDT	5 Amps 24VDC / 240VAC	5 x 6.25 x 1.688	1.25

RY2 and RY4 relay PC Board layout (1 DPDT relay shown)



To convert to AC operation:

* NOTE: Install electrolytic capacitor on PC board at points indicated by ♦.

BE SURE TO OBSERVE POLARITY. Recommended capacitor value: 22mfd, 50v. Note that adding a capacitor will delay release time by approximately 25 milliseconds. Minimum AC input is 18 volts.