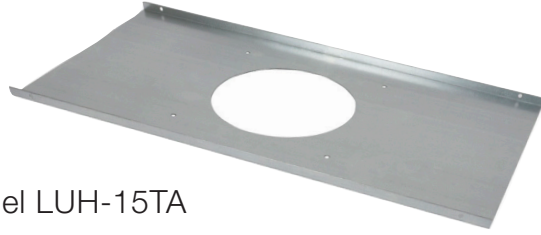


Model No.

# LUH-TBAR

Tile Bridge for Unihorn™ Model LUH-15TA



Overall Dimensions: 23.75" x 12.10" x 0.437"

Center Opening: 7.25" diameter



LUH TILE BRIDGE is often required by local building codes for safety reasons as well as aesthetics to reduce the potential of tile ceilings sagging from the weight of speakers. This T-bar is engineered to distribute the weight of specified models in Lowell's Unihorn™ LUH-15TA, to the ceiling support system when installed in a suspended 2' x 2' or 2' x 4' tile ceiling. The horn installs to the tile bridge with screwdriver-adjustable clamps.

## FEATURES

**CONSTRUCTION:** Formed 22-gauge galvanized steel construction — lightweight, rigid support

**ORIGIN:** Made in the U.S.A.

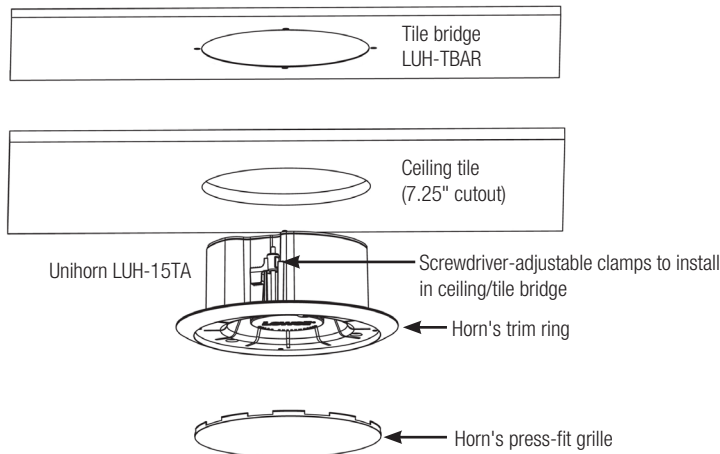
## A&E SPECIFICATIONS

The tile bridge shall be Lowell Model LUH-TBAR. It shall measure 23.75"L x 12.10"W and have a round center opening with a 7.25" diameter. It shall be formed from 22-gauge galvanized steel, engineered to support and distribute the weight of Lowell Unihorn model LUH-15TA (ordered separately), to the ceiling support system in a 2' x 2' or 2' x 4' suspended ceiling installation.

## COMPATIBLE COMPONENTS (order separately)

- **UNI HORN™:** LUH-15TA, with or without press-fit grille, or with Lowell vandal-resistant LUH-VRG. Order horn and accessories separately.

## TYPICAL INSTALLATION



# TECHNICAL DRAWINGS

Dimensions are inches and [mm] unless stated otherwise.

