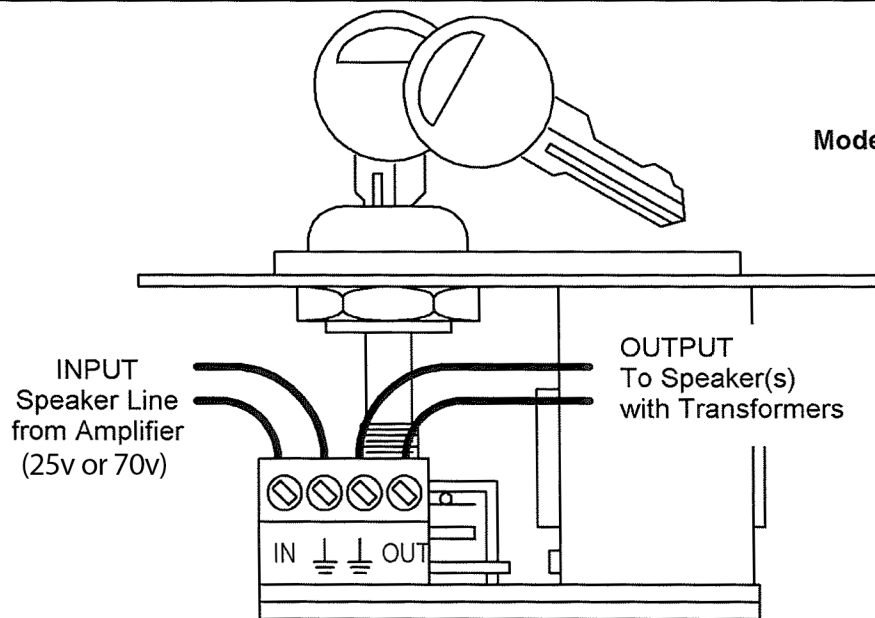


**Lowell KL100, KL100-PA Attenuators Wiring Instructions**

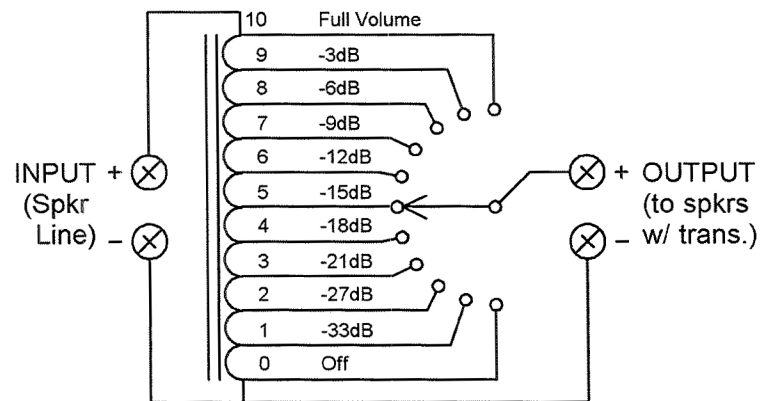
ETL LISTED. Conforms to UL 60065 / UL 2043. Certified to CSA 22.2 #60065

Min. inside dim. of UL listed EO box (if used): 1 7/8" W, 2 5/8" H, 2 1/8" D

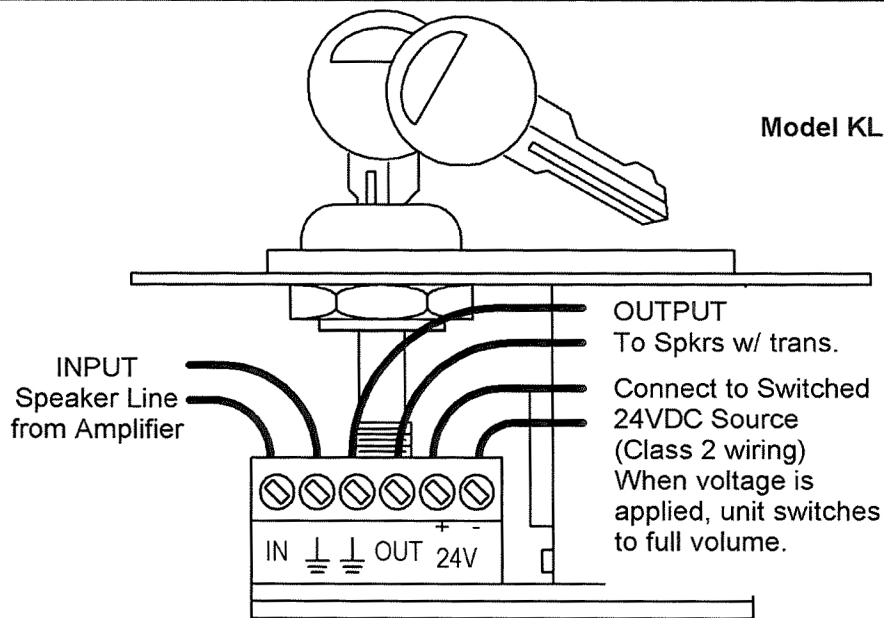
**Model KL100**



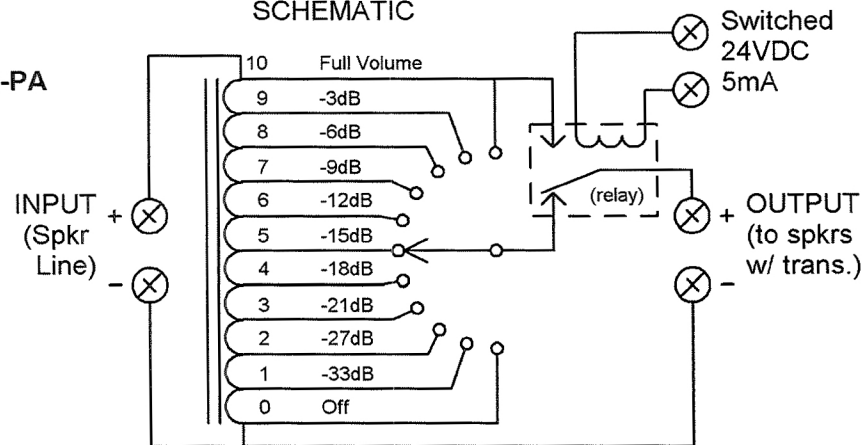
**SCHEMATIC**



**Model KL100-PA**



**SCHEMATIC**



**Lowell Manufacturing Co.**

100 Ingram Dr. Pacific, MO 63069 1-800-325-9660  
1-636-257-3400 Fax 1-636-257-6606 www.lowellmfg.com