

Model Series

SEPH

Blank Steel Panels for Half Rack

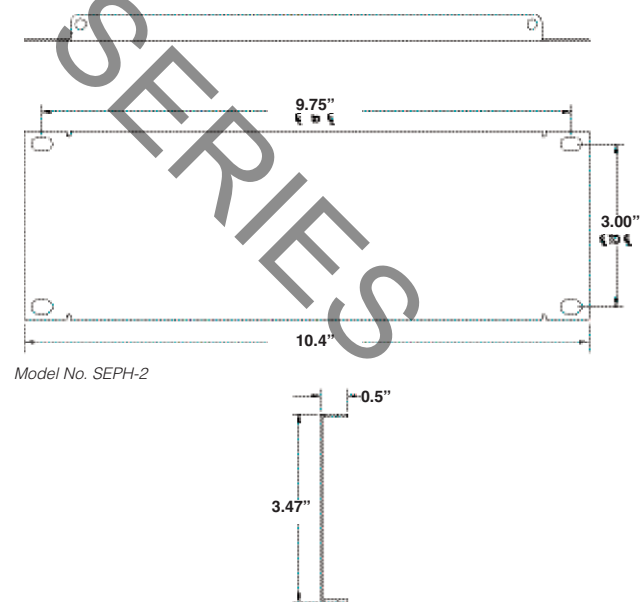
Blank steel panel sized for a half rack measures 10.4 inches wide by one or two rack units. The panel is formed from 18-gauge steel and has a black semi-gloss powder epoxy finish. Made in the USA with certified US steel.

Features

- 1U or 2U steel panel
- 0.5 in. flange
- 10.4 inches [264mm] wide
- Black semi-gloss powder epoxy finish
- Made in the USA with 100% certified U.S. steel

A&E Specifications

The blank panel shall for half rack use shall be Lowell Model No. _____, which shall measure 10.4 in. wide x _____ in. high. The panel shall be 18-gauge certified US steel and have a black semi-gloss powder epoxy finish. The panel shall also feature a 0.5 inch flange.



Model Number Summary

Model No.	Description	Overall Height	Racking Space	Width
SEPH-1	Blank panel for half rack	1.72 in. [44mm]	1U	10.4 in. [264mm]
SEPH-2	Blank panel for half rack	3.47 in. [88mm]	2U	10.4 in. [264mm]