

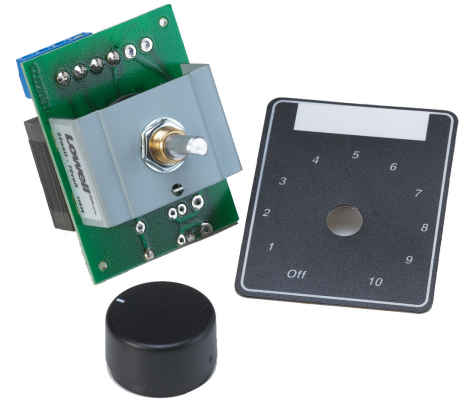
Model No.

25LVC-RM

Volume Control

INCLUDES:

- 25W attenuator
- Adhesive label with printed dial scale
- Rotary knob



25W ATTENUATOR provides precise level adjustment of single or multiple speaker lines. This unit includes an adhesive label with printed dial scale and rotary knob.

FEATURES

DESCRIPTION: Mono autoformer attenuator for use with 25V/70V speaker line

POWER RATING: 25W

ATTENUATION: 3dB per step (33dB total with two steps of 6dB each before off)

TERMINATION: Phoenix-style plug-in screw termination strips for pre-wire convenience

WIRE CAPACITY: Up to 14-gauge

SWITCH TYPE: Rotary knob, black

SWITCH POSITIONS: Off-10

ADHESIVE LABEL: Black label with white printed dial scale and plastic window to insert a paper label.

COMPLIANCE & CERTIFICATIONS:

- ETL Listed. Conforms to UL 60065 / UL 2043. Certified to CSA 22.2 #60065.
- Made in the USA with US and global components
- Trade Agreements Act (TAA) compliant

A&E SPECIFICATIONS

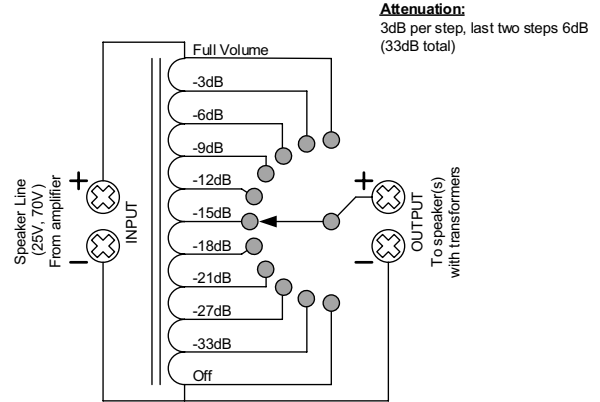
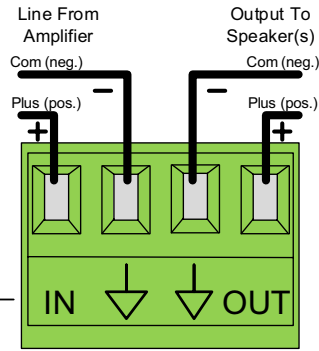
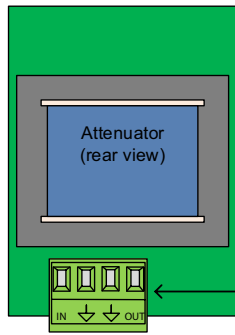
The volume control shall be Lowell model 25LVC-RM, which shall have a 25W power rating and attenuation of 3dB per step with two steps of 6dB each before off. It shall feature Phoenix-style plug-in screw termination strips for pre-wire convenience, and wire capacity to 14-gauge. It shall include an adhesive label with printed dial scale and black rotary knob. It shall be Made in USA with US and global components. The mono attenuator shall be ETL Listed and Trade Agreement Act (TAA) compliant.

OPTIONS

LVC8P-ID-2: 19-inch x 2U steel rackmount panel with eight (8) punches to mount standard controls. Panel includes printing for volume levels so adhesive labels (included with some controls) are not needed.



SEP-2: 19-inch x 2U steel rack panel can be field-punched to mount various controls.



OVERVIEW: MONO ATTENUATORS

THIS SPEC

| Model No. | Power Rating | Attenuation Steps/Total * | VC Type | Priority Relay | Mount Type ** | Plate Size | Color | Switch | Listing | For Use With speaker line | TAA Compliant |
|--------------|--------------|---------------------------|------------|----------------|----------------------|------------|------------|-----------|---------|---------------------------|---------------|
| 10LVC | 10 W | 3dB/33dB | autoformer | --- | standard wall plate | 1-gang | ss | knob | ---- | 25V/70V | no |
| 25LVC | 25 W | 3dB/33dB | autoformer | --- | standard wall plate | 1-gang | ss | knob | ETL | 25V/70V | yes |
| 25LVC-SW | 25 W | 3dB/33dB | autoformer | --- | standard wall plate | 1-gang | white | knob | ETL | 25V/70V | yes |
| 25LVC-DB | 25 W | 3dB/33dB | autoformer | --- | decorator wall plate | 1-gang | black | knob | ETL | 25V/70V | yes |
| 25LVC-DW | 25 W | 3dB/33dB | autoformer | --- | decorator wall plate | 1-gang | white | knob | ETL | 25V/70V | yes |
| 25LVC-RM | 25 W | 3dB/33dB | autoformer | --- | adhesive label | --- | black | knob | ETL | 25V/70V | yes |
| 50LVC | 50 W | 3dB/33dB | autoformer | --- | standard wall plate | 1-gang | ss | knob | ETL | 25V/70V | yes |
| 50LVC-DB | 50 W | 3dB/33dB | autoformer | --- | decorator wall plate | 1-gang | black | knob | ETL | 25V/70V | yes |
| 50LVC-DW | 50 W | 3dB/33dB | autoformer | --- | decorator wall plate | 1-gang | white | knob | ETL | 25V/70V | yes |
| 50LVC-RM | 50 W | 3dB/33dB | autoformer | --- | adhesive label | --- | black | knob | ETL | 25V/70V | yes |
| 100LVC | 100 W | 3dB/33dB | autoformer | --- | standard wall plate | 1-gang | ss | knob | ETL | 25V/70V | yes |
| 100LVC-DB | 100 W | 3dB/33dB | autoformer | --- | decorator wall plate | 1-gang | black | knob | ETL | 25V/70V | yes |
| 100LVC-DW | 100 W | 3dB/33dB | autoformer | --- | decorator wall plate | 1-gang | white | knob | ETL | 25V/70V | yes |
| 100LVC-DSB | 100 W | 3dB/33dB | autoformer | --- | decorator wall plate | 1-gang | ss / black | knob | ETL | 25V/70V | yes |
| 100LVC-RM | 100 W | 3dB/33dB | autoformer | --- | adhesive label | --- | black | knob | ETL | 25V/70V | yes |
| 10015LVC | 100 W | 1.5dB/13.5dB | autoformer | --- | standard wall plate | 1-gang | ss | knob | ETL | 25V/70V | yes |
| 10015LVC-DB | 100 W | 1.5dB/13.5dB | autoformer | --- | decorator wall plate | 1-gang | black | knob | ETL | 25V/70V | yes |
| 10015LVC-DW | 100 W | 1.5dB/13.5dB | autoformer | --- | decorator wall plate | 1-gang | white | knob | ETL | 25V/70V | yes |
| 10015LVC-RM | 100 W | 1.5dB/13.5dB | autoformer | --- | adhesive label | --- | black | knob | ETL | 25V/70V | yes |
| 100LVC-PA | 100 W | 3dB/33dB | autoformer | yes | standard wall plate | 1-gang | ss | knob | ETL | 25V/70V | yes |
| 100LVC-PA-DB | 100 W | 3dB/33dB | autoformer | yes | decorator wall plate | 1-gang | black | knob | ETL | 25V/70V | yes |
| 100LVC-PA-DW | 100 W | 3dB/33dB | autoformer | yes | decorator wall plate | 1-gang | white | knob | ETL | 25V/70V | yes |
| 100LVC-PA-RM | 100 W | 3dB/33dB | autoformer | yes | adhesive label | --- | black | knob | ETL | 25V/70V | yes |
| KL100-DW | 100 W | 3dB/33dB | autoformer | --- | decorator wall plate | 1-gang | white | key | ETL | 25V/70V | yes |
| KL100-DSB | 100 W | 3dB/33dB | autoformer | --- | decorator wall plate | 1-gang | ss / black | key | ETL | 25V/70V | yes |
| 200LVC | 200 W | 3dB/33dB | autoformer | --- | standard wall plate | 2-gang | ss | knob | ETL | 70V | yes |
| 200LVC-DSB | 200 W | 3dB/33dB | autoformer | --- | decorator wall plate | 2-gang | ss / black | knob | ETL | 70V | yes |
| 200LVC-RM | 200 W | 3dB/33dB | autoformer | --- | adhesive label | --- | black | knob | ETL | 70V | yes |
| 200LVC-RMDB | 200 W | 3dB/33dB | autoformer | --- | subplate | --- | black | knob | ETL | 70V | yes |
| KL100-PA-DSB | 100 W | 3dB/33dB | autoformer | yes | decorator wall plate | 1-gang | ss / black | key | ETL | 70V | yes |
| KL100-PA-DSW | 100 W | 3dB/33dB | autoformer | yes | decorator wall plate | 1-gang | ss / white | key | ETL | 70V | yes |
| KL200-DSB | 200W | 3dB/33dB | autoformer | --- | decorator wall plate | 2-gang | ss / black | key | ETL | 70V | yes |
| SVC100-PA-DW | 100W | 3dB/33dB | autoformer | yes | decorator wall plate | 1-gang | white | slide-bar | ETL | 70V | yes |

* Note: Models with 33dB total have 2 steps of 6dB each before off. Models with 13.5dB total have 2 steps with 3dB each before off.

** Adhesive labels are used in rackmount panels or custom applications. ss = stainless steel

