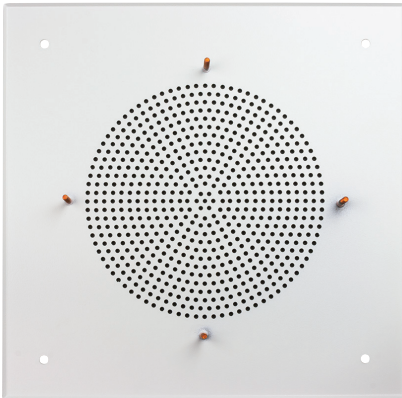




Front



Rear



Square steel grille for use with 8" speakers features a circular perforation pattern, beveled edges and a white powder epoxy finish.

FEATURES:

- **Construction:** Precision formed from a single piece of 20-gauge steel. White powder epoxy finish.
- **Overall Dimensions:** 11.438" square
- **Mounting Projection:** 0.125"
- **Mounting Bolts:** 9.063" square
- **Speaker Stud Circle:** 7.625" diameter
- **Country of Origin:** Made in USA with certified US steel
- **Hardware (included):**
 - (4) 8-32 x 3/4" welded speaker studs with nuts to mount a speaker
 - (4) 8-32 x 1-1/2" white screws to mount speaker/grille assembly to an enclosure
- **A&E Specifications:** The grille for use with 8" speakers shall be Lowell model IC-105A. It shall be formed with 20-gauge steel, have beveled edges and a circular punched center. The grille shall be 11.438" square with a mounting projection of 0.125". It shall include 8-32 x 3/4" welded studs with nuts to mount the specified 8" speaker. Grille shall also have four 0.25" holes on 9.063" centers to mount specified recessed or surface backbox. Grille shall be finished in white powder epoxy and include white screws for backbox installation.

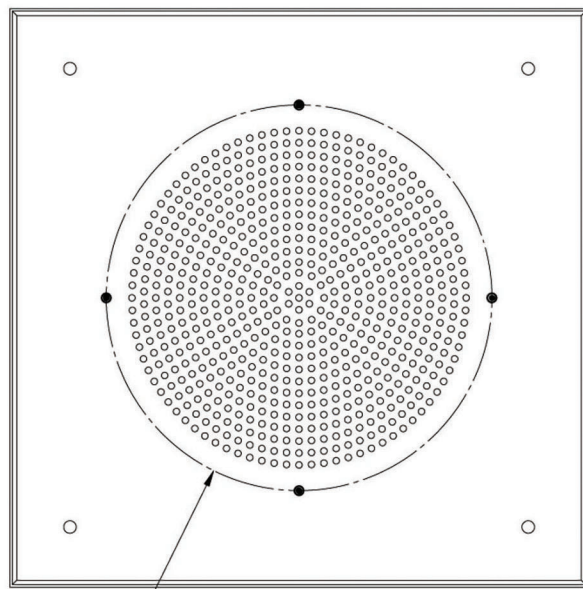
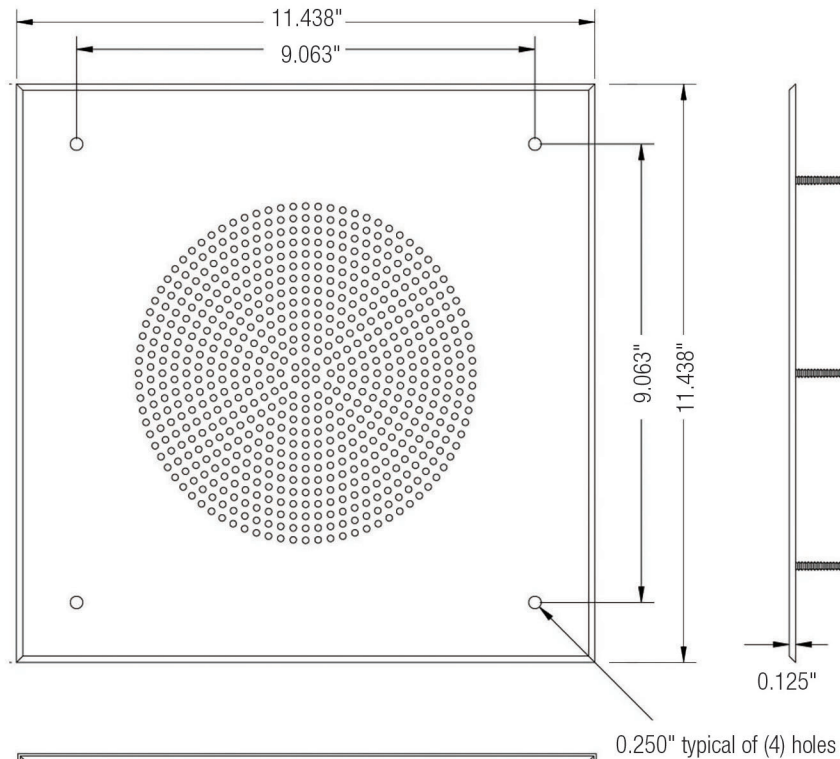
COMPATIBLE COMPONENTS (order separately):

Note: Grilles are designed to work with speakers, enclosures, and mounting accessories listed on this specification sheet. Using the grille to install speakers without a metal enclosure may not meet the requirements of all local and national electrical and building codes. The installer should request approval of the installation method from the Authority Having Jurisdiction (AHJ) before installing the speaker system.

Application	Speaker	Enclosure	Mounting Aids
SURFACE-mount	8" EIA	CB84-SG, CB84-SGA	-----
RECESSED in Tile Ceiling	8" EIA	P68X, P68XA (4"D), P68X-6, P68XA-6 (6"D), P875X-6	SS24, SS30, or SS48 mounting rails (to span ceiling structural members) or contractor's custom hardware
RECESSED Before Drywall Installed	8" EIA	P68X, P68XA (4"D), P68X-6, P68XA-6 (6"D), P875X-6	SS24, SS30, or SS48 mounting rails (to span ceiling structural members) or contractor's custom hardware
RECESSED Retrofit in Existing Drywall	8" EIA	P68XA (4"D) P68XA-6 (6"D)	SS9 retrofit mounting rails or contractor's custom hardware

Notes: – Robust coaxial speakers, such as Lowell 8A50 or 8P100, require a large volume enclosure (greater than 4"D).
– Grille IC-105A is not for use with tile-bridge LBS8.





7.625" mounting bolt circle for 8-32 studs

WARNING! *Speaker installation should only be performed by experienced qualified professionals with knowledge of load-rated hardware and safe installation, mounting, and rigging techniques. Improperly installed equipment can result in property damage, personal injury, death, and/or liability to the installing contractor. The speaker system must be mounted in accordance with all local, state, and federal codes and regulations and the installation must conform to industry standard practices. It is the responsibility of the installer to furnish all installation hardware, rigging hardware, and safety or restraint cables to be used. Before installation, it is the responsibility of the installer to consult a licensed mechanical or structural engineer to evaluate and certify the structural integrity and safety of any mounting method and the suitability of that method to be used to mount the loudspeaker to the building structure in this particular installation. Lowell Manufacturing is not responsible for the use, misuse, misapplication, or unsafe installation of this loudspeaker product.*

