

### features . . . . .

- **Description:**

Steel cable management panel organizes cable in telecommunications, audio-visual and broadcast applications. It extends to fit horizontally (front-to-back within a rack) providing a versatile solution for cable management.

- **Construction:**

- 18-gauge certified U.S. steel panel with black powder epoxy finish
- 1U panel extends 17–30 inches

- **Origin:** Made in the USA

- **Optional (order separately):**

Velcro cable wraps (#VCW-12) for light duty settings keep cables neat and hold them out of the way during installation. Each measures roughly 8 in. x 0.5 in. Maximum bundle diameter 1.75 in. Bag of 12.



Optional velcro cable wraps (#VCW-12) help organize cables.

### a&e specifications . . . . .

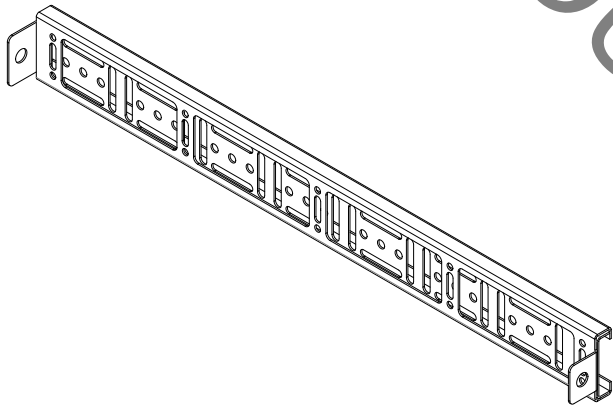
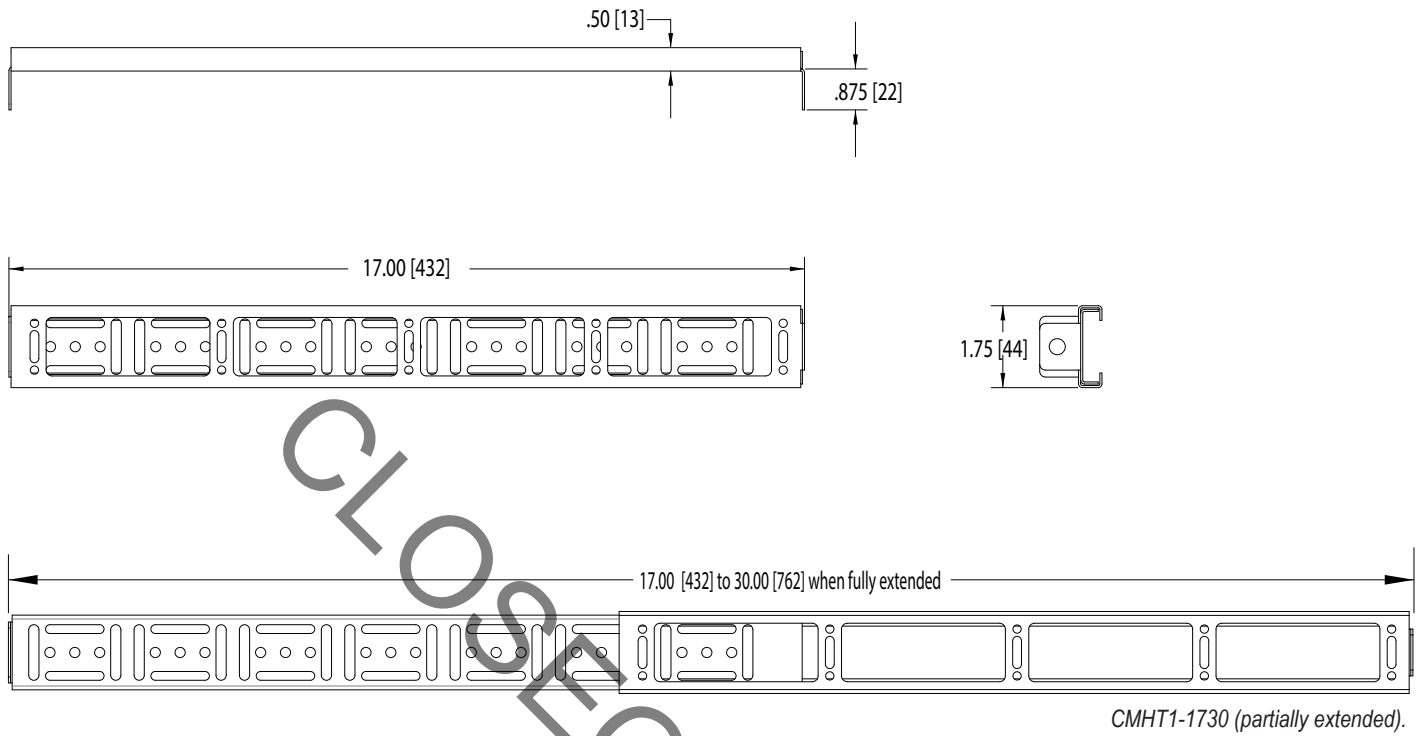
The cable manager shall be Lowell Model CMHT1-1730, which shall be formed from 18-gauge certified U.S. steel and finished in black powder epoxy paint. The panel shall be 1 rack units and extend 17 to 30 inches.

### Model Summary

Model No.	Description	Racking Space	Extension	Unit of Sale
▶ CMHT1-1730	Telescoping Cable Manager - Horizontal	1.75 in / 44 mm / 1U	17-30 in / 432-762 mm	2 pack
CMHT2-1936	Telescoping Cable Manager - Horizontal	3.5 in / 89 mm / 2U	19-36 in / 483-914 mm	2 pack

One rack unit (RU or U) = 1.75 inches or 44.45 mm.





CLOSEOUT MODEL

