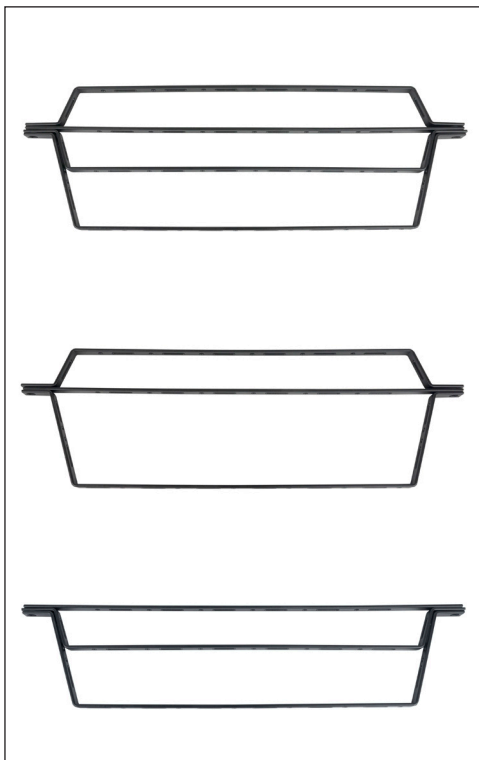




MADE IN THE USA



CERTIFIED US STEEL



Straight and offset cable managers can be stacked for very efficient use of rack space in multiple configurations. Model CMFW, CMFW-2 and CMFW-4 are all used in the configurations shown here.

### features . . . . .

- **Description:** Rackmount flat wire cable manager with multiple tie-down slots and holes is formed from 11-gauge steel and features unique, non-abrasive rounded edges. The robust design can also be used as support bracing for equipment when combined with mid or rear rack rails.
- **Construction:**
  - Rackmount flat wire with slots
  - Straight, no offset
  - Stackable on a horizontal plane with #CMFW-2 or #CMFW-4 (sold separately) for effective cable management using minimal rack space.
  - Smooth rounded edges
  - 11-gauge certified U.S. steel
  - Smooth black powder epoxy finish
- **Origin:** Made in the U.S.A.

### a&e specifications . . . . .

The flat wire cable managers shall be Lowell Model CMFW. It shall be formed from 11-gauge steel and have a black finish. The cable manager shall be straight. Straight and offset cable managers shall be capable of being combined and stacked on a horizontal plane.

### CMFW series summary

Model No.	Description	Style	Offset Depth	Unit of Sale
▶ CMFW	Cable Manager Flat Wire	straight	---	Pack of 10
CMFW-2	Cable Manager Flat Wire	offset	1.75 in / 44 mm	Pack of 10
CMFW-4	Cable Manager Flat Wire	offset	4 in / 102 mm	Pack of 10

Dimensions = inches [mm]; 1U = 1.75"



