



Reinforced rackmount shelf with (left- or right-mount) side extension tray for a mouse pad.



features.

- **Panel Space:** 4.34" slightly more than 2U
- **Overall Depth:** 20" 16" forward extension
- **Overall Width:** 19"
- **Description:** Rackmount shelf with reinforced top provides support for a standard computer monitor and extended keyboard. The shelf includes a sliding mouse platform for left or right-hand use.
- **Construction:** Certified U.S. steel with black powder epoxy finish.
- **Reinforced Top:**
 - Supports monitors of varying heights.
 - Adjustable rear rails provide solid support.
 - Two 1.5" dia. holes for cable access
- **Slide-out, Rotating Tray (for keyboard):**
 - Provides innovative pull and swivel access/storage of an extended keyboard, which is typically too wide for slide-out use in a 19"W rack.
 - Ball bearing slides provide smooth and full extension accessibility to a keyboard (keyboard not included).
 - When closed, the hinged front panel secures the keyboard with two snap closures.
 - Two pockets for storage beneath keyboard area.
- A full-length wrist pad is included with the shelf.
- **Adjustable Platform (for mouse):**
 - Slide-out platform for left or right-hand use
- **Load Capacity:** 70 lbs. [31 kg]
- **Origin:** Made in the U.S.A.
- **Installation:**
 - Shelf is engineered to be mounted in a rack with minimum depth of 27"
 - Shelf mounts on front and rear rack rails

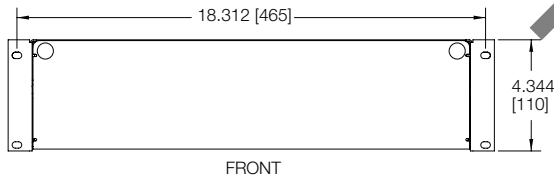
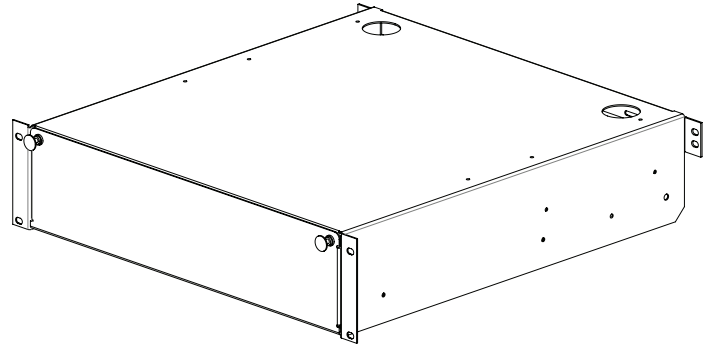
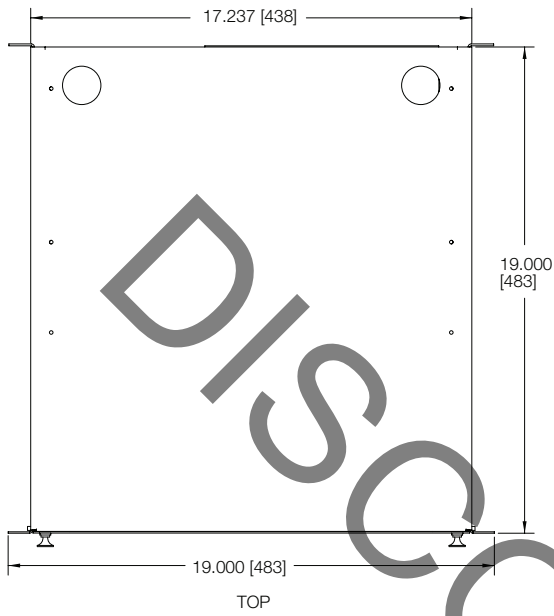
a&e specifications.

The slide-out, swiveling rackmount shelf with reinforced top shall be Lowell model #KDMS. The 16-gauge steel shelf with hinged snap closure front panel, ball bearing slides, and reinforced top shall be made to support a standard computer monitor and an extended keyboard (up to 18"W). It shall feature a sliding mouse platform for left

or right-hand use. The rackmount shelf shall be 19"W x 20"D with 16" front extension. It shall use 4.34" of panel space. The shelf shall include a full length wrist pad.

Model Summary

Model No.	Description	Panel Space	Overall Depth	Overall Width	Forward Extension	Rear Rail Extension
KDMS	Rackmount shelf for monitor/keyboard	4.34" [110]	20" [508]	19" [483]	16" [406]	6" [152]



DISCONTINUED