



Holds up to 42 jewel cases.



features

- **Overall Height:** 7.00" [178] or 4U
- **Overall Width:** 19.00" [483]
- **Overall Depth:** 5.40" [137]
- **Description:** Rackmount media holder provides an easy way to organize standard CD jewel cases. It's ideally suited to racks that transport presentation equipment between rooms in schools, hospitals, and similar facilities. The media holder can also be used in permanent installations such as training facilities, reference libraries, conference centers, or boardrooms.
- **Construction:**
 - 16-gauge certified U.S. steel
 - Fully welded unit with sectional dividers
 - Durable black powder epoxy finish
- **Mounting:** Installs easily to rack front mounting rails using 10-32 hardware (not included.)
- **Load Capacity:** Holds up to 42 standard jewel cases that measure 4.9" x 5.6" x 0.2" [124mm x 142mm x 5mm]
- **Origin:** Made in the U.S.A.

a&e specifications

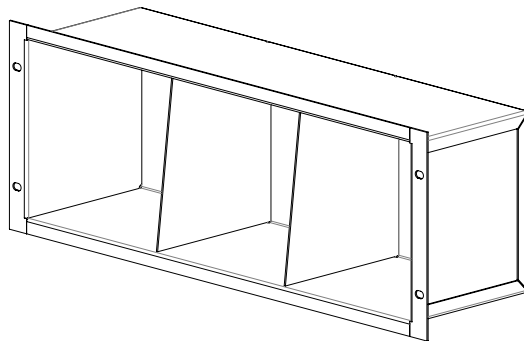
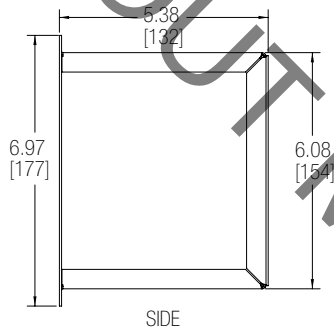
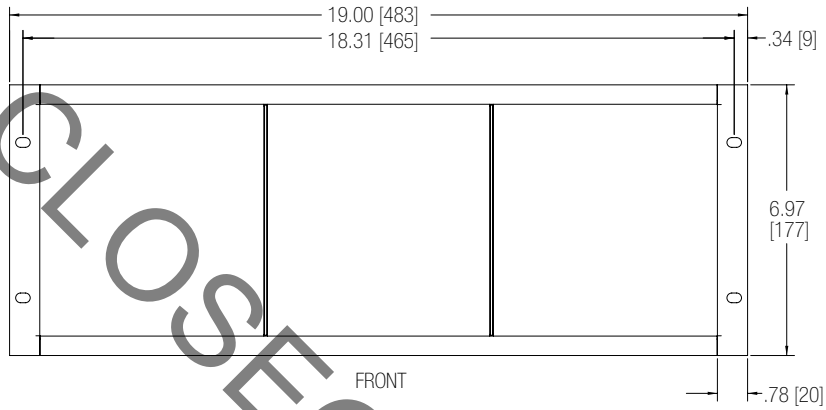
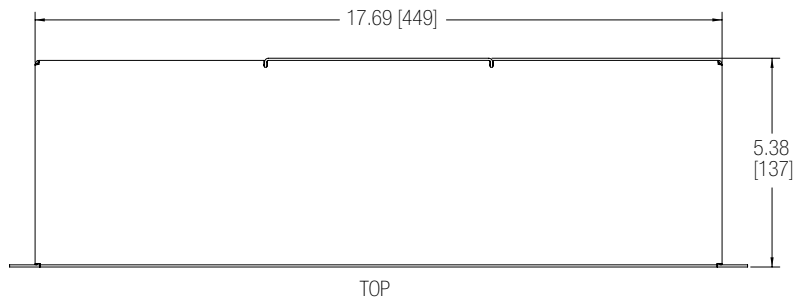
The rackmount media holder for 19" racks shall be Lowell Model #MH4-CD, which shall measure 19.0"W x 7.00"H x 5.40"D. The unit shall be 16-gauge certified U.S. steel with smooth black powder epoxy finish. The fully welded unit shall feature two sectional dividers. It shall hold up to 42 standard CD jewel cases.

MH series summary

Model No.	Rack Units	Overall Height	Usable Width	Overall Depth	Load Capacity
▶ MH4-CD	4U	7.00 [178]	19.00	5.40 [137]	42 cd
MH5-DVD	5U	8.72 [221]	19.00	5.50 [140]	27 dvd

Dimensions = inches [mm]; 1U = 1.75"





Dimensions are inches and [mm] unless stated otherwise.

