

0.625" flange for strength



Available as a single panel or in multi-pack cartons.

features.

- **Description:** Steel vent panel for 19" E.I.A. racks features 35% open area for ventilation.
- **Construction:** 18-gauge certified U.S. steel
- **Finish:** Smooth black semi-gloss powder epoxy finish
- **Flange:** 0.625" flange
- **Vents:** Finely perforated 0.0781" diameter holes on 0.125" staggered centers provide 35% open area.
- **Origin:** Made in the U.S.A.
- **Compliance:** E.I.A. compliant
- **Packaging:** Available as a single panel or in a multi-pack contractor's carton.

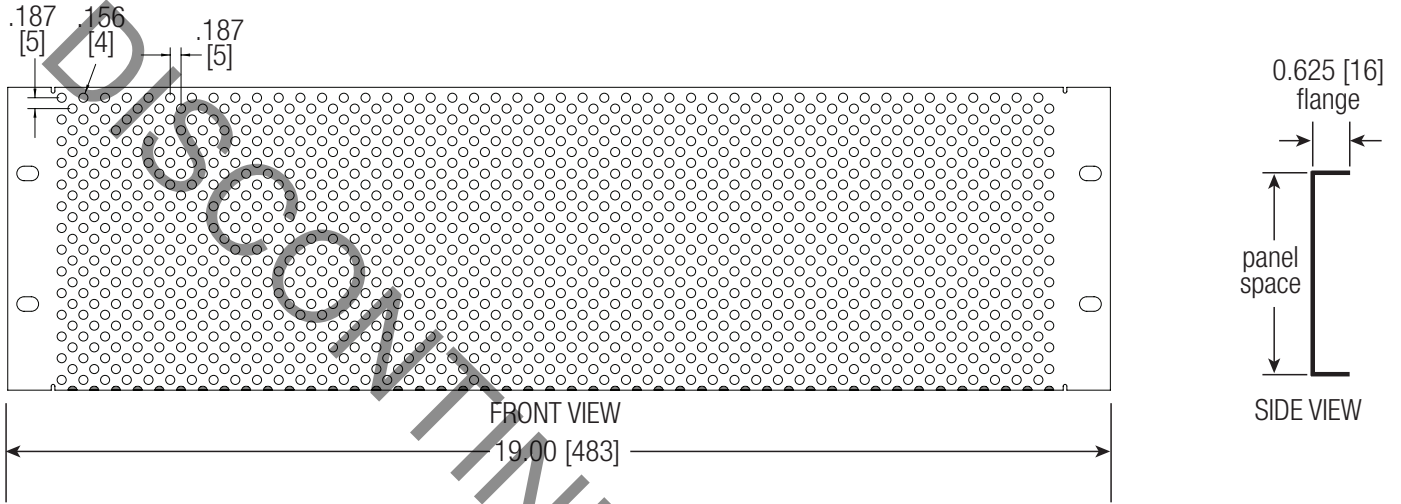
a&e specifications.

The rack shall include _____ (quantity) vent panels, Lowell model # _____, which shall be 18-gauge steel with smooth black semi-gloss powder epoxy finish and 35% open area. Each panel shall measure 19"W x _____ rack units and feature a _____ 0.625" flange. Panels shall be made in the U.S.A. with certified U.S. steel.

SVP series summary

Model No.	Panel Space	Overall Height	Overall Width	Overall Depth (flange)	Material	Finish	Open Area	Carton Pack
Single Panels								
SVP-1	1 U	1.75 [44]	19.00 [483]	0.625 [16]	18-ga. steel	Black semi-gloss	35%	1
SVP-2	2 U	3.50 [89]	19.00 [483]	0.625 [16]	18-ga. steel	Black semi-gloss	35%	1
SVP-3	3 U	5.25 [133]	19.00 [483]	0.625 [16]	18-ga. steel	Black semi-gloss	35%	1
SVP-4	4 U	7.00 [178]	19.00 [483]	0.625 [16]	18-ga. steel	Black semi-gloss	35%	1
SVP-5	5 U	8.75 [222]	19.00 [483]	0.625 [16]	18-ga. steel	Black semi-gloss	35%	1
SVP-6	6 U	10.50 [267]	19.00 [483]	0.625 [16]	18-ga. steel	Black semi-gloss	35%	1
SVP-10	10 U	17.50 [445]	19.00 [483]	0.625 [16]	18-ga. steel	Black semi-gloss	35%	1
Multi-pack Cartons								
SVP-1CC	1 U	1.75 [44]	19.00 [483]	0.625 [16]	18-ga. steel	Black semi-gloss	35%	12
SVP-2CC	2 U	3.50 [89]	19.00 [483]	0.625 [16]	18-ga. steel	Black semi-gloss	35%	12
SVP-3CC	3 U	5.25 [133]	19.00 [483]	0.625 [16]	18-ga. steel	Black semi-gloss	35%	6
SVP-4CC	4 U	7.00 [178]	19.00 [483]	0.625 [16]	18-ga. steel	Black semi-gloss	35%	6

Dimension = inches [mm]
1U = 1.75"



CONTINUED SPEC SHEET