



Model FW2-RD

Ready-to-install, low-profile rear door panel has two whisper-quiet fans, guards and detachable cord. It mounts to the rear door vent pattern in Lowell rack series LGR, LER, LPR, LPPR, LSGR, and LSER. The assembly typically mounts inside the rack to exhaust warm air out the back but it can also be mounted to the outside of the door.

FEATURES

- 16 gauge steel panel with black powder epoxy finish
- Includes 6-ft. detachable power cord with plug
- Dimensions: 15.25"W x 5"H x 2"D
- Fan Diameter: 4.7" (two fans)
- Total Airflow Rating: 100cfm
- Total Noise Rating: 31dBA
- Power Required: 11 watts
- Fan Orientation: Exhaust (pulls air out of cabinet). *NOTE: Fans can be field-changed to intake (force air into cabinet)*
- Made in the USA with domestic and imported parts.

INSTALLATION

- When mounted inside a rack, the fan panel normally provides exhaust cooling as it pulls air out of the rack. However, individual fans can be removed and inverted for intake cooling from the same rackmounted position. The assembly mounts in the rear door with four screws (provided).
- When the panel is mounted outside the rack, fans normally provide intake cooling. However, individual fans can be removed and inverted for exhaust cooling from the same rackmount position. Note that if the panel is mounted on the outside of the rear door, the cordset must be routed through the door to the rack interior. You will need to drill a hole in rear door vents to fit the cord and bushing (see installation instructions).



Optional: Fan filter, model FW-FF.

OPTIONAL

- Model No. FW-FF: Filter for 4.7" [120mm] diameter fan

A & E SPECIFICATIONS

The fan panel for installation on the rack rear door shall be Lowell Model FW2-RD. The 15.25"W x 5"H x 2"D assembly shall be 16 gauge steel finished in black powder epoxy paint. It shall include two 4.7" dia. fans with fan guards and a 6-ft. detachable power cord with plug. Total airflow shall be 100cfm (31dBA).

SERIES OVERVIEW

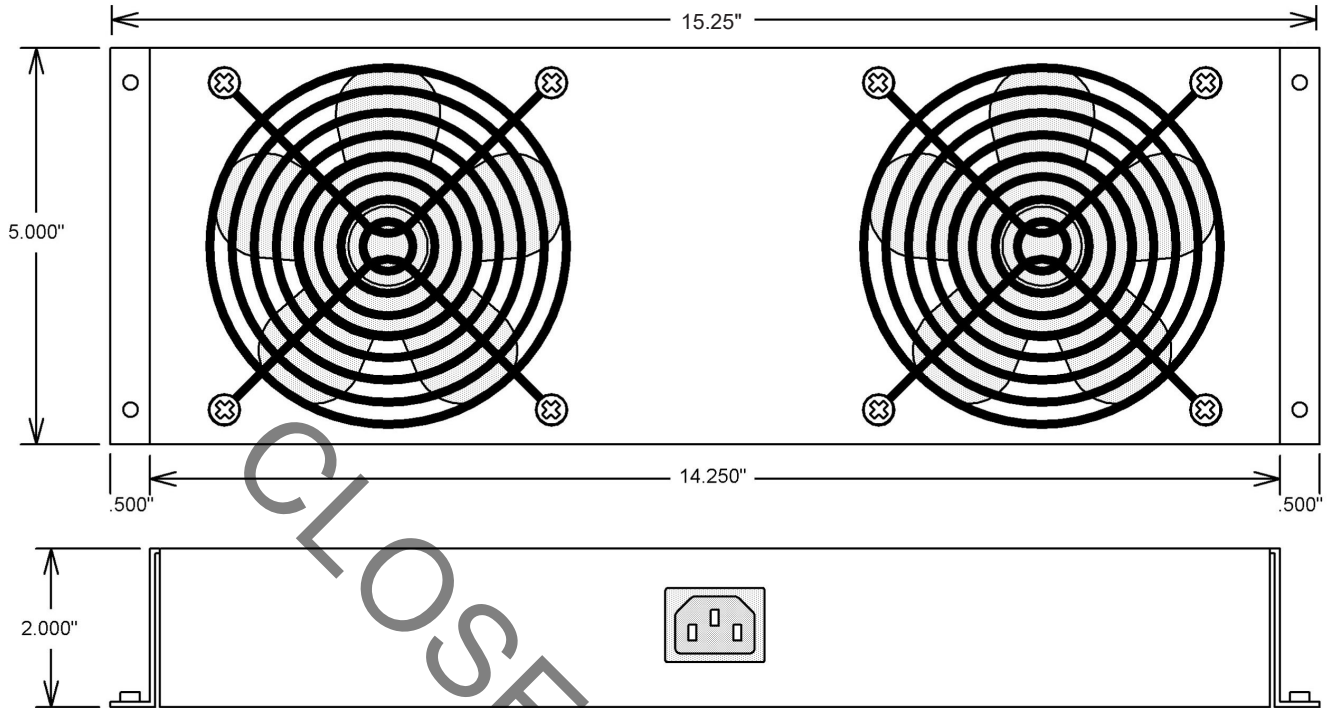
Model No.	Panel Description	Thermal Probe	Panel Height	Fan Quantity	Total Airflow	Total Noise Rating	Power Required	Cord Type
FW2-RD	Rear door fan panel	No	5 in / 127 mm	2	100cfm	31dBA	11 watts	6-ft detachable
FW2-RDT	Rear door fan panel	Yes	5 in / 127 mm	2	100cfm	31dBA	11 watts	6-ft detachable

Optional:

FW-FF	Fan filter
-------	------------



TECHNICAL DRAWINGS Dimensions are inches and [mm] unless stated otherwise.



INSTALLATION

