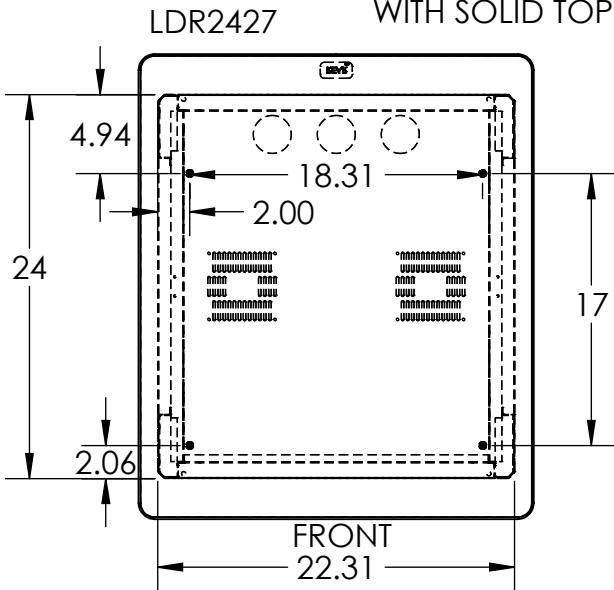
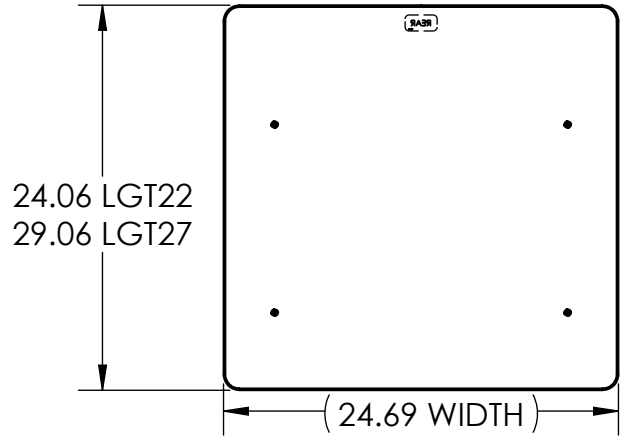


ASSEMBLY INSTRUCTIONS FOR OPTIONAL TOPS

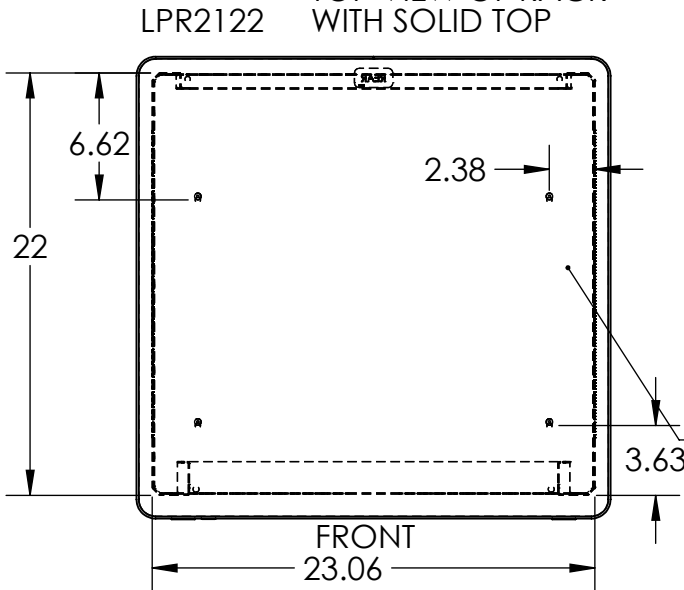
TOP VIEW OF RACK
WITH SOLID TOP



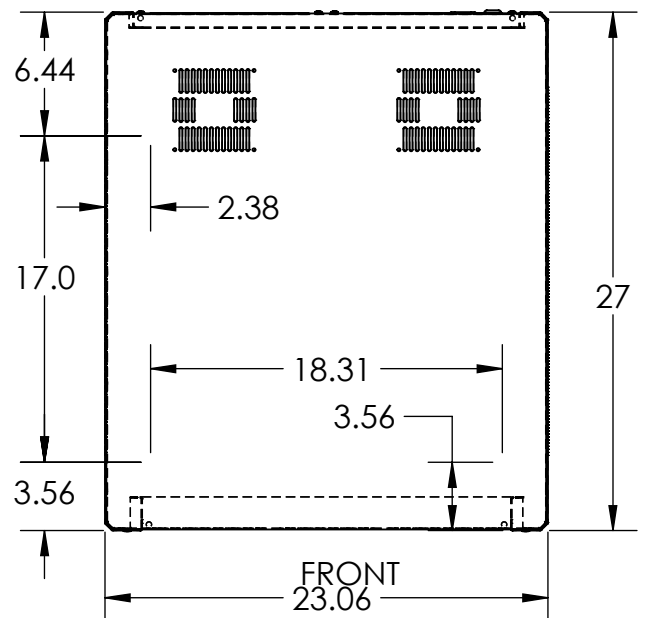
BASIC TOP DIMENSIONS



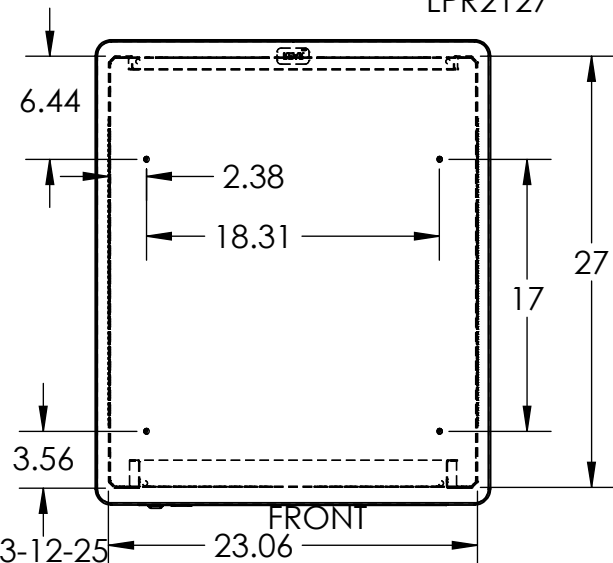
TOP VIEW OF RACK
WITH SOLID TOP



LER1827



DRILL (4) .187 DIA HOLE
ON A LL RACKS THAT
HAVE A SOLID TOP WITH OUT KO'S
LPR2127



HOW TO SECURE TOP TO RACK

REMOVE (4) SCREWS FROM THE
BOTTOM SIDE OF LAMINATE TOP.
NOTE THE REAR LABEL
THIS END GOES TO REAR OF RACK
ATTACH FROM INSIDE THE RACK
WITH SAME (4) SCREWS